

Surface Round 6"

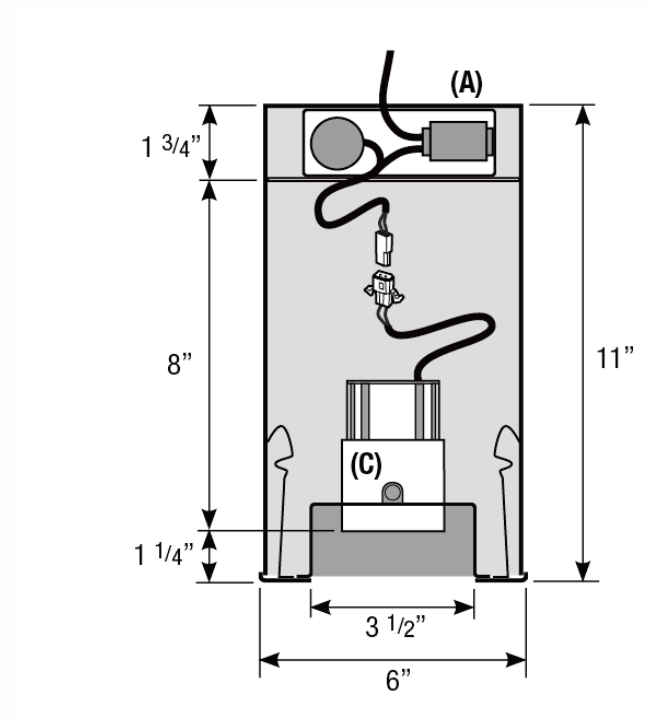
SR6-644-PAR16

6" Dia. Cylinder – Surface Mounted 8.4W/9.4W/12W/14W/16W LED PAR16

Project Name:		Type:	
Catalog Number:		Date:	



Fixture Dimensions



*Sizes may vary depending on wattages

CLARTÉ
LIGHTING



CREE LEDs



Surface Round 6"

SR6-644-PAR16

6" Dia. Cylinder – Surface Mounted 8.4W/9.4W/12W/14W/16W LED PAR16

Project Name:		Type:	
Catalog Number:		Date:	

Wattage/Lumen Output - PAR16 Scale

700 Lumens - 700/750 Milliamp

8W	ON/OFF
	0-10V 1% Dimming
9W	MLV <1% Dimming

925 Lumens - 1000/1050 Milliamp

12W	ON/OFF
	0-10V 1% Dimming
	ELV 10% Dimming
14W	MLV <1% Dimming

1100 Lumens - 1400/1500 Milliamp

16W	ON/OFF
	0-10V 1% Dimming
	ELV 10% Dimming
17W	MLV <1% Dimming
19W	Lutron 1% Dimming
	DMX .1% Dimming

1118 - 700 Milliamp

18W	ABS & DMX RGBW Dimming
-----	------------------------

1250 Lumens - 1650 Milliamp

20W	ON/OFF
	0-10V 1% Dimming
	ELV 10% Dimming

1950+ Lumens - 750 Milliamp

17W	X4LED
-----	-------

*Size subject to change

Color 700MA

Blue	228 Lumens
Green	549 Lumens
Amber	562 Lumens
Red	462 Lumens

Photometrics

	16W PAR16 1100 LUMENS		16W PAR16 1032 LUMENS		16W PAR16 1028 LUMENS		16W PAR16 915 LUMENS	
4'	585 fc	1.0'	587 fc	1.2'	371 fc	1.5'	115 fc	2.9'
6'	260 fc	1.6'	261 fc	1.8'	165 fc	2.2'	51 fc	4.3'
8'	146 fc	2.1'	147 fc	2.4'	93 fc	3.0'	29 fc	5.7'
10'	94 fc	2.6'	94 fc	3.0'	59 fc	3.7'	18 fc	7.2'
12'	65 fc	3.1'	65 fc	3.6'	41 fc	4.5'	13 fc	8.6'
20'	23 fc	5.2'	24 fc	6.1'	15 fc	7.5'	5 fc	14.3'
26.7'	13 fc	7.0'	8 fc	8.1'	8 fc	10.0'	3 fc	19.1'
40'	6 fc	10.5'	6 fc	12.1'	4 fc	14.9'	1 fc	28.7'
	NSP 14°		SP 17°		NFL 22°		FL 40°	

LM70 - LED Life Rating = 70% of lumen rating of LED

8.4W/9.4W	= 261,000 hrs. = 29+ years*
12W/14W	= 183,000 hrs. = 20+ years*
16W/19W	= 123,000 hrs. = 14+ years*

*24 hr. 7 days a week, 8760 hrs. a year operation

Clarté Lighting's LED fixtures operate -30°C to -44°C cooler at junction temperature as compared to most other LED fixture manufacturers, creating a premium life LED, allowing Clarté to offer a 7 year warranty* *5 year on DMX/RGBW fixtures.



Optical & Accessory Options:

- Up to 2 stackable accessories per optic
- 1 retention ring for optic +1 retention ring for accessories
- Easy tool-less field changeable optic and/or accessories
- Tapered Snoot

Optical Features

1. 3 to 1 min to max beam ratio with strong center beam
2. Soft feathered beam
3. 45 degree vertical cut off eliminated
4. 180 degree soft radiant fill light improves min to max

4 field changeable optics - LED

NARROW SPOT (NSP)	10°
SPOT (SP)	15°
NARROW FLOOD (NFL)	21°
FLOOD (FL)	40°

4 field changeable optics -XLED

NARROW SPOT (NSP)	10°
SPOT (SP)	15°
NARROW FLOOD (NFL)	24°
FLOOD (FL)	43°

Lens Softener (LS) +20 increases in beam width Shields optical face visually Softens edges of beam.



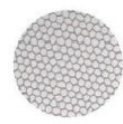
Linear Spread Lens (LSL) Horizontal or Vertical Beam Elongation.



Wide Flood Lens (WFL) Wall Washing Increases the beam by 50% width with elimination of center beam.



Louver (LV) Small black Hexcel louver eliminate all surface brightness creates stronger vertical cut off with -20% beam width.



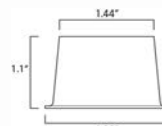
Halogen (H) 150 Kelvin lower - 2700K to 2550K.



Dimmed Halogen (DH) 300 Kelvin lower -2700K to 2400K.

Dichroic Color Filters Themed Environment Red, Green, Blue, Yellow & Amber.

Tapered Snoot (TSN) Reduce surface brightness and diameter of the beam field with a 1.44" opening, a -36% reduction in the optic face.



Ordering Information:

Please fill in the spaces below that apply

SR6-644 _____ - _____ - _____ - _____ - _____ - _____ - _____ - _____ - _____ - _____
(a) (b) (c) (d) (e) (f) (g) (h) (i)

(a) Driver Options

- E = Electronic
- D = Forward Phase Magnetic Low Voltage (MLV) .01% Fade to Off (2 wire)
- ED = Electronic Forward/Reverse Phase, 10% Dimming (2 wire)
- 0-10V1 = 0-10V, 1% Dimming (3 wire)
- DL = Hi-Lume 1% (2 wire) 120V (LTE series)
- RDM DMX = 4 channel, .1% Dimming (2 wire with CAT5)
- ABS = Absolute Light .001% Dimming (use with RGBW)

(b) Wattage Options

- 9W = MLV <1% Dimming
- 14W = MLV <1% Dimming
- 17W = MLV <1% Dimming, 4XLED
- 8W = ON/OFF, 0-10V1%
- 12W = ON/OFF, 0-10V1%, ED
- 16W = ON/OFF, 0-10V1%, ED
- 19W = LUTRON Dimming, DMX Dimming
- 20W = ON/OFF, 0-10V1%, ED

(c) Lamp Type Options

- LED = Cree XPG diode @ 8W/9W
- XLED = Cree XPL diode @ all wattages
- X4LED = Cree XHP50 LED = 50+% brighter than XLED (available spot, narrow flood and flood)

(d) Beam Options

- NSP = Narrow Spot
- SP = Spot
- NFL = Narrow Flood
- FL = Flood

(e) Element Options

- LS = Lens Softener
- LSL = Linear Spread Lens
- WFL = Wide Flood Lens
- LV = Louver
- DH = Dimmed Halogen (300K lower)
- H = Halogen (150K lower)

(f) Tapered Snoot Colors

- BTS = Black Tapered Snoot
- WTS = White Tapered Snoot
- WBTS = White Exterior / Black Interior

(g) Snoot Colors

- BLKS = Black Snoot
- WHTS = White Snoot
- PWTS = Pewter Snoot

(h) Options

- EMG = 90 minute emergency battery back up
- 80+ = CRI over 80
- 90+ = CRI over 90 (only available in 27K and 30K)
- 120V = 120VAC 60Hz (Standard)
- 230V = 230VAC 50Hz (used in conjunction with 230V track)
- 277V = 277VAC 60Hz (used in conjunction with 277V track)
- 347V = 347VAC 60Hz
- DMX* = .39% to 100%, 1200 milliamp constant voltage LED driver, dip switch addressable, 3 channel for 27K & 30K, 4 channel for RGBW, CAT5 in & out**

*DMX is required in RGBA or in any 2 circuits or more
Custom colors available - Consult factory for more details
** C and PL options must be used together

(i) Color Temperature Options powered by Cree® LEDs

- 22K = 2200 Kelvin (candlelight)
- 27K = 2700 Kelvin (incandescent color)
- 30K = 3000 Kelvin (Halogen color)
- 35K = 3500 Kelvin (warm incandescent)
- 40K = 4000 Kelvin (cool incandescent)
- RGBW = Red, Green, Blue, White**
- UV365 = 365 NM UV black light
- UV390 = 390 NM UV black light
- Blue = 465 - 485 NM wavelength
- Green = 520 - 535 NM wavelength
- Amber = 585 - 595 NM wavelength
- Red = 620 - 630 NM wavelength

**Must utilize DMX fixture option