

RMT-500 EMCOD Magnetic Dimmable

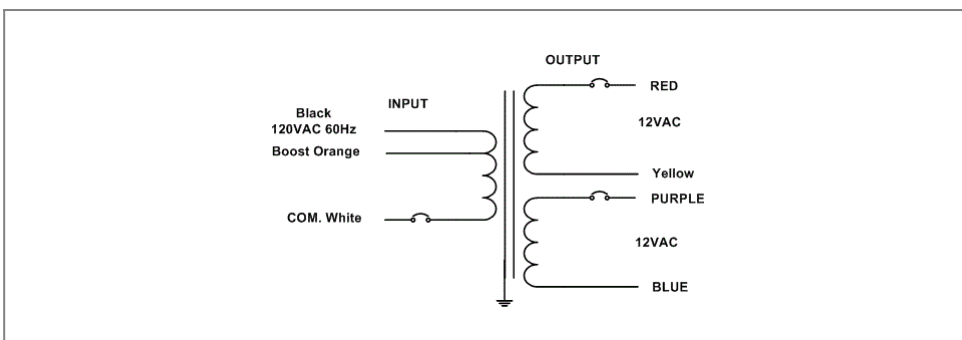
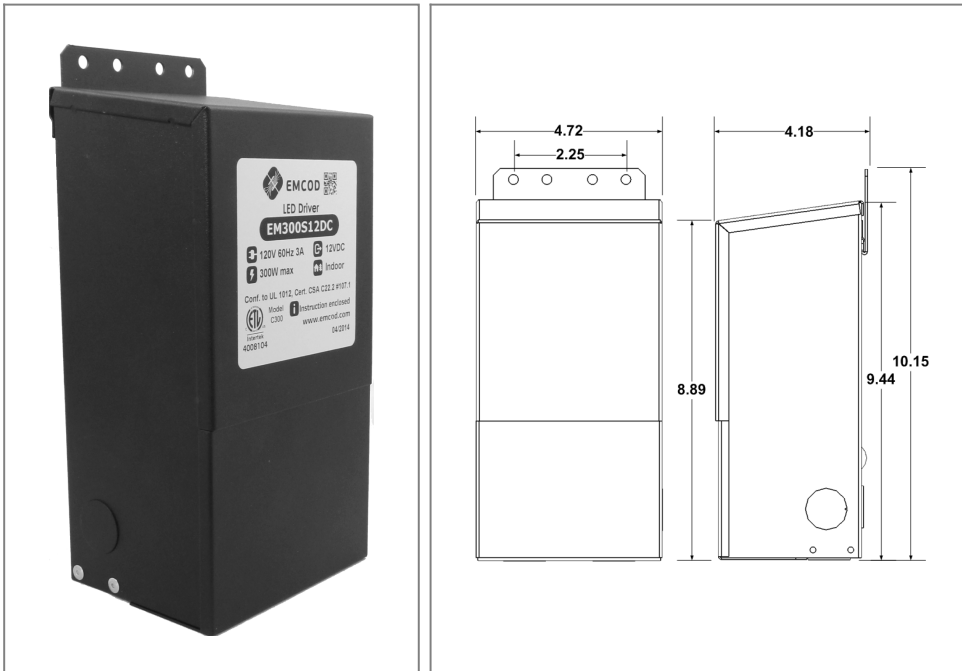
Outdoor Black Powder Coated Steel Enclosure

Single Circuit: **12/24VAC**

Total Wattage: **500W max**

Input Voltage: **120V 60Hz**

CLARTÉ™ LIGHTING



Transformer

Dimmable with any LV magnetic dimmer as long as you cover dimmer's min load.

Temperature class B(130°C)

Two section bobbin completely separated primary and secondary windings

Input leads are 18AWG 600V

Output leads are 12AWG 300V

Leads max. operational temperature is 105°C

Thermal manually reset primary breaker 7A

Thermal manually reset secondary breaker 25A per circuit

Housing

The actual transformer 500W is encapsulated in the enclosure

The enclosure is Black Powder Coated Steel, NEMA 3R rated

Wiring compartment has 6 knockouts sizes for 3/8 inch screw cable connectors

Enclosure Temperature does not exceed 75°C at 45°C ambient and fully loaded

Dimensions (inch): H = 9.4, W = 4.6, D = 4.1

Weight (LBs): 1.8

Electrical Parameters

Input Voltage: **120V 60Hz**

Output voltage fully loaded: **11.8/ 23.8VAC**

Max. Total Wattage: **500W**

Max. per circuit: **250W**