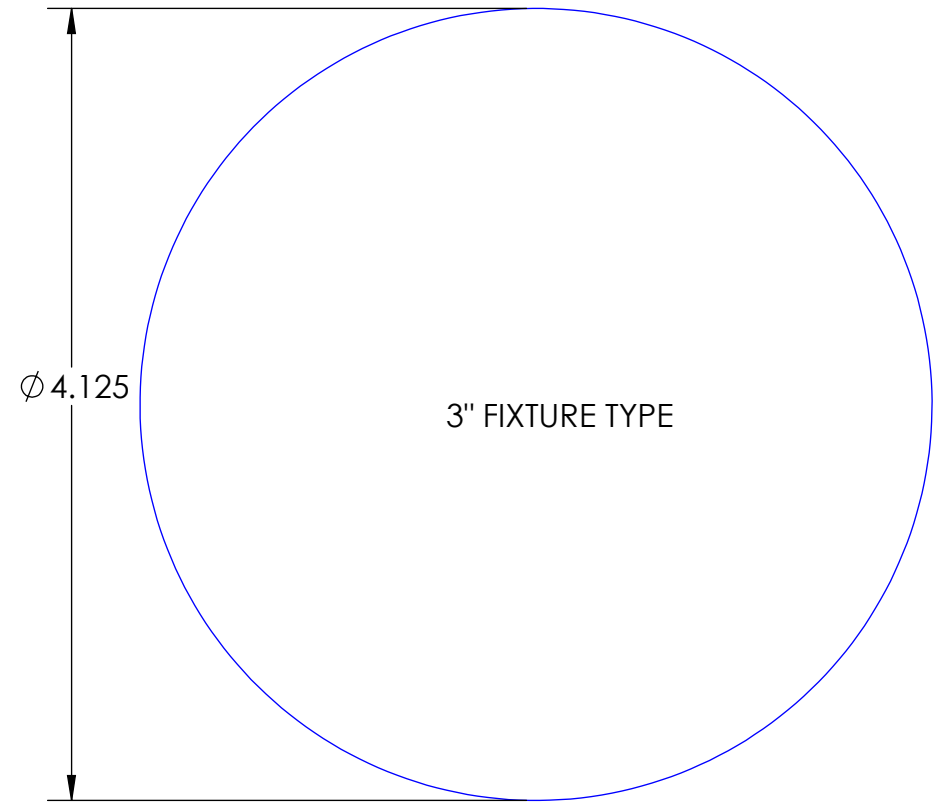
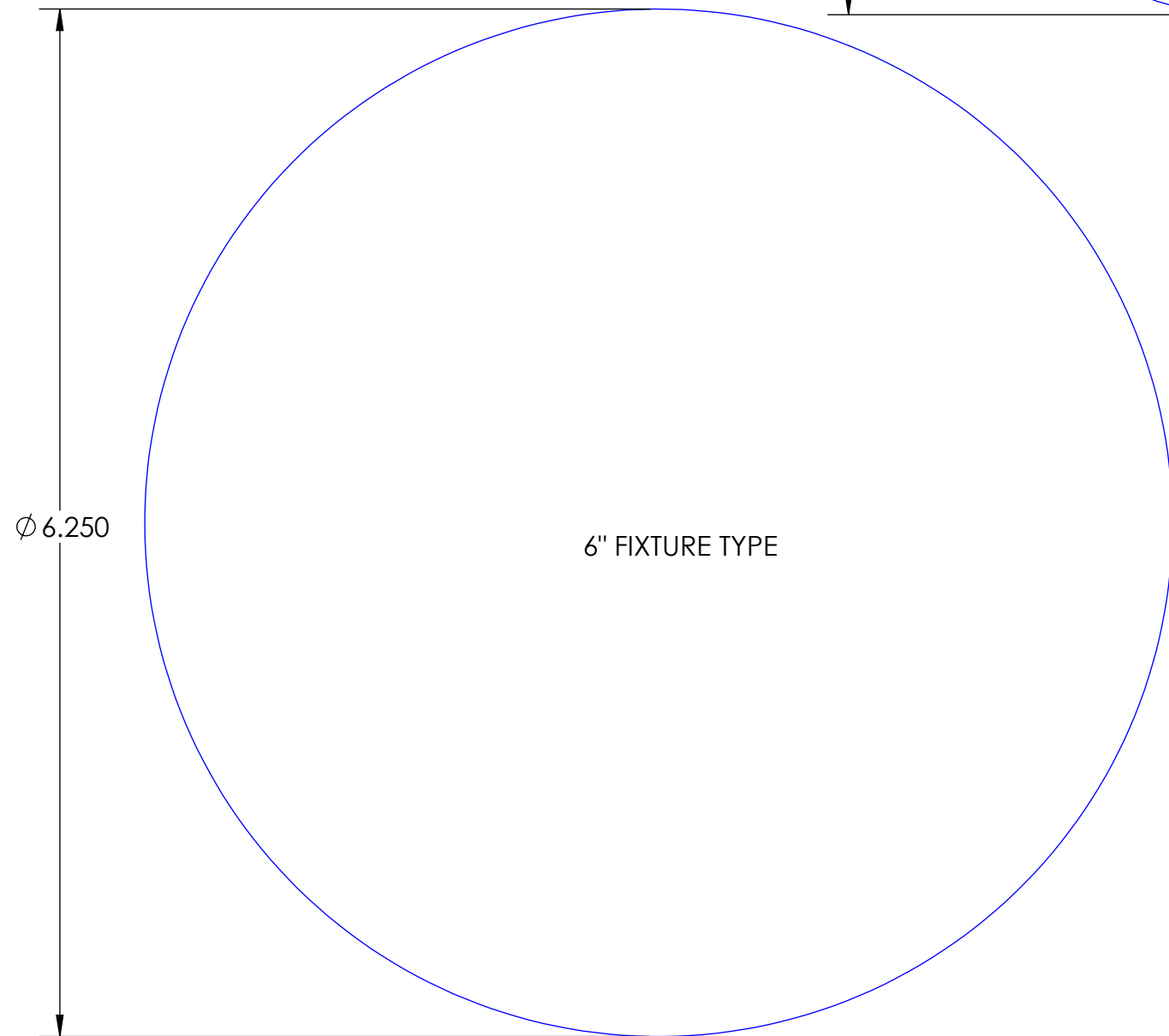
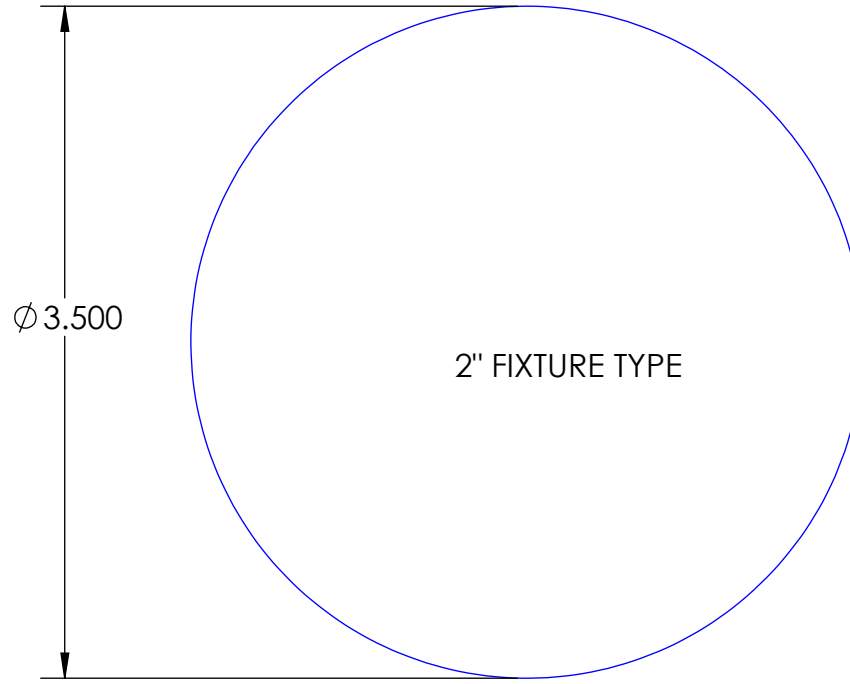
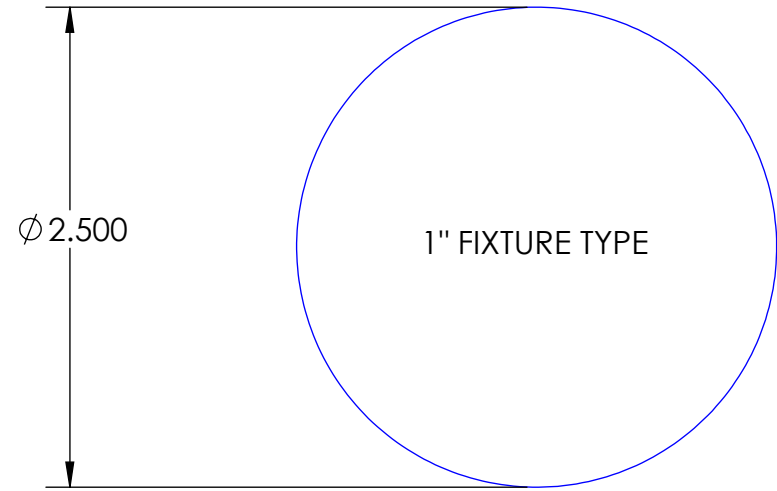
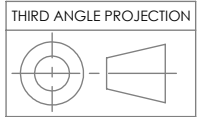
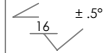



NOTES: 1. ALL DRAWING ARE PROPERTY OF CLARTÉ LIGHTING
 ANY REPRODUCTION OF THIS PRINT MUST HAVE WRITTEN
 PERMISSION OF CLARTÉ LIGHTING.
 2. REMOVE ALL BURRS AND BREAK OFF ALL SHARP EDGES.



UNLESS OTHERWISE SPECIFIED:				DIMENSIONS ARE IN INCHES X ± .031 XX ± .015 XXX ± .005					
PROPRIETARY AND CONFIDENTIAL THE INFORMATION CONTAINED IN THIS DRAWING IS THE SOLE PROPERTY OF CLARTÉ LIGHTING. ANY REPRODUCTION IN PART OR AS A WHOLE WITHOUT THE WRITTEN PERMISSION OF CLARTÉ LIGHTING IS PROHIBITED.				BY R GATEWOOD		DATE 2/13/2018			
		MATERIAL: DIAGRAM ONLY		FINISH: DIAGRAM ONLY		SIZE B		DWG. NO. DIAG-CHS	
		DO NOT SCALE DRAWING		SCALE: 1:1		WEIGHT:		SHEET 1 OF 1	