

MR1-632-SP-PAR16

8.4W Two LED Recessed Directional 4" Diameter

Plaster Ceiling Trim-Less Installation Instructions (Special)

CLARTÉ™ LIGHTING

CAUTION!

READ AND FOLLOW ALL SAFETY AND INSTALLATION INSTRUCTIONS CAREFULLY.
TURN OFF ELECTRICAL POWER BEFORE STARTING INSTALLATION.

SAVE THESE INSTRUCTIONS

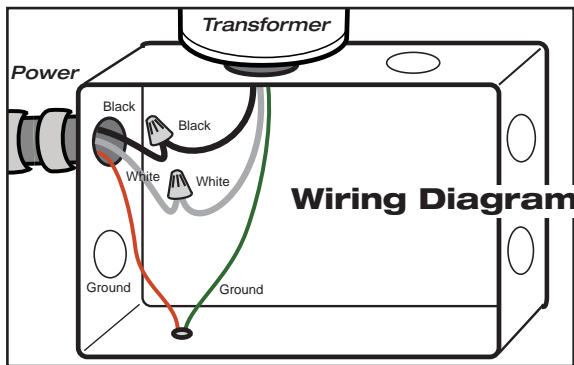
WARNING - Before starting installation, disconnect power by turning off the circuit breaker or by removing the appropriate fuse at the fuse box. Do not install any luminaire assembly closer than 6" from any curtain or similar combustible materials. Risk of fire or electric shock. Luminaire wiring and electrical parts may be damaged when drilling for installation of LED retrofit kit. Check for enclosed wiring and components. Risk of fire or electric shock. LED Retrofit Kit installation requires knowledge of luminaires electrical systems. If not qualified, do not attempt installation. Contact a qualified electrician. Risk of fire or electric shock. Install this kit only in luminaires that have the construction features and dimensions shown in the photographs and/or drawings and where the input rating of the retrofit kit does not exceed the input rating of the luminaire. To prevent wiring damage or abrasion, do not expose wiring to edges of sheet metal or other sharp objects. Do not make or alter any open holes in an enclosure of wiring or electrical components during kit installation. **Consult a qualified electrician before installing. Work should be performed by qualified personnel.**

Suitable to Install on "Dimming Circuits".

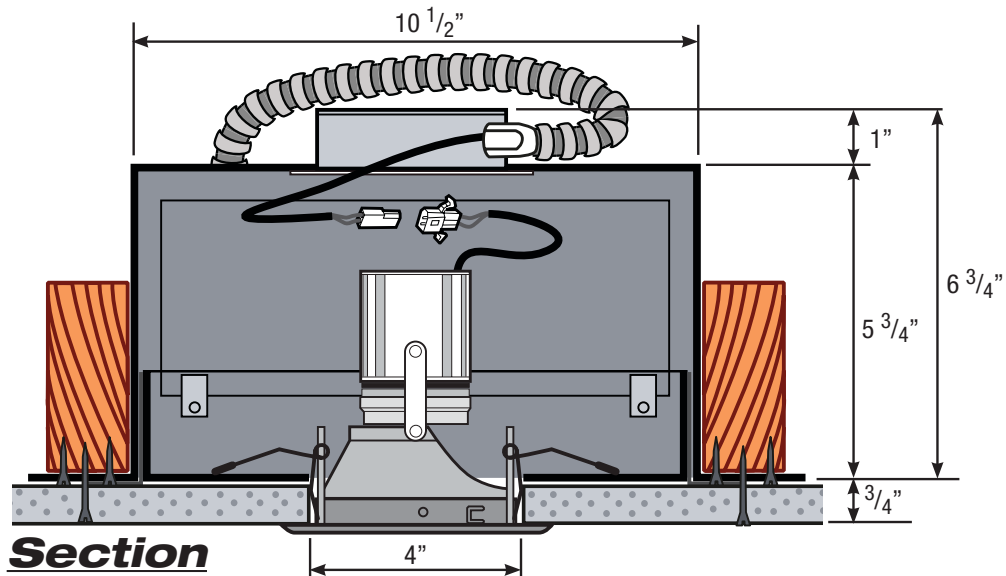
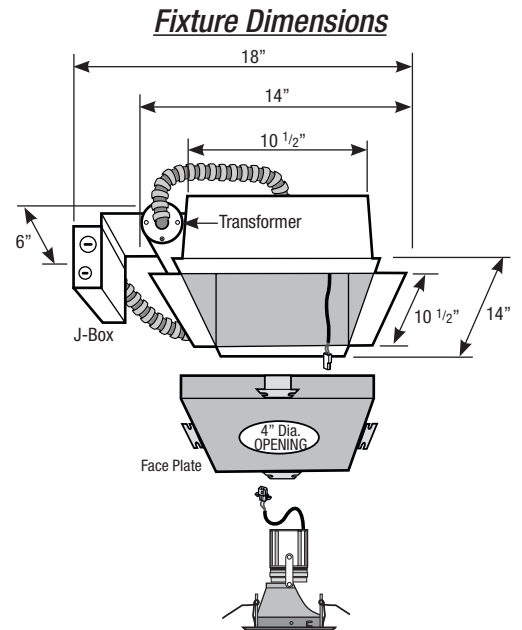
All wiring must be in accordance with all applicable **NEC Standards**

Light-Emitting Diode Lamp is fully Dimmable

1. Prepare ceiling framing opening of approximately **10 1/2" x 18"** for the fixture Housing
2. Install fixture housing into framing



3. Connect power leads. One 120V Circuit to Fixture J-Box
Connect Transformer black wire to line Black wire.
Connect Transformer white wire to line white wire.
Connect Transformer ground wire to line ground wire.



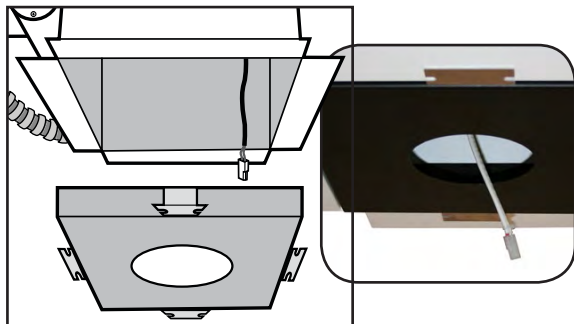
Continue Instructions on back of this page

MR1-632-SP-PAR16

8.4W Two LED Recessed Directional 4" Diameter

Plaster Ceiling Trim-Less Installation Instructions (Special)

CLARTÉ™ LIGHTING



4. Install face plate and feed pig tail through 4" Dia. opening



5. Install Gypsum board (Sheetrock) Plaster and Paint. Connect transformer pigtail to LED Fixture Pig tail.



6. Insert the long end springs into opening while pulling back the short end springs.



7. Push Fixture into opening. you will feel spring resistance and fixture will be secure in opening.



8. Rotate or adjust light fixture to achieve the desired direction of illumination.

Restore power and check the operation of your new **CLARTÉ** light fixture.



For access and maintenance of Transformer and J-Box use inside side access panel.