

# MR1-636-TL-PAR30

22W Recessed Directional 5" **OPENING**  
*Trim-less Installation Instructions*

# CLARTÉ™ LIGHTING

## CAUTION!

READ AND FOLLOW ALL SAFETY AND INSTALLATION INSTRUCTIONS CAREFULLY. TURN OFF ELECTRICAL POWER BEFORE STARTING INSTALLATION.

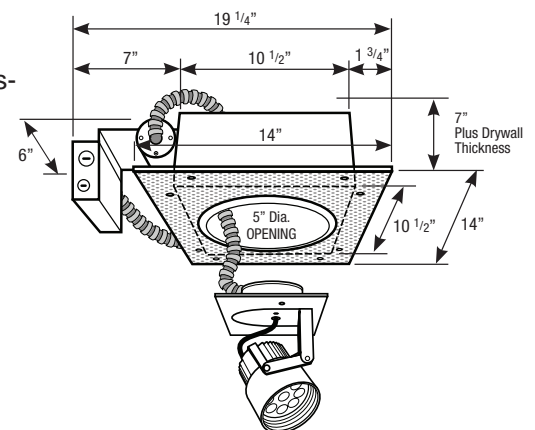
**WARNING** - Before starting installation, disconnect power by turning off the circuit breaker or by removing the appropriate fuse at the fuse box. Do not install any luminaire assembly closer than 6" from any curtain or similar combustible materials. Risk of fire or electric shock. Luminaire wiring and electrical parts may be damaged when drilling for installation of LED retrofit kit. Check for enclosed wiring and components. Risk of fire or electric shock. LED Retrofit Kit installation requires knowledge of luminaires electrical systems. If not qualified, do not attempt installation. Contact a qualified electrician. Risk of fire or electric shock. Install this kit only in luminaires that have the construction features and dimensions shown in the photographs and/or drawings and where the input rating of the retrofit kit does not exceed the input rating of the luminaire. To prevent wiring damage or abrasion, do not expose wiring to edges of sheet metal or other sharp objects. Do not make or alter any open holes in an enclosure of wiring or electrical components during kit installation. **Consult a qualified electrician before installing. Work should be performed by qualified personnel.**

SAVE THESE INSTRUCTIONS

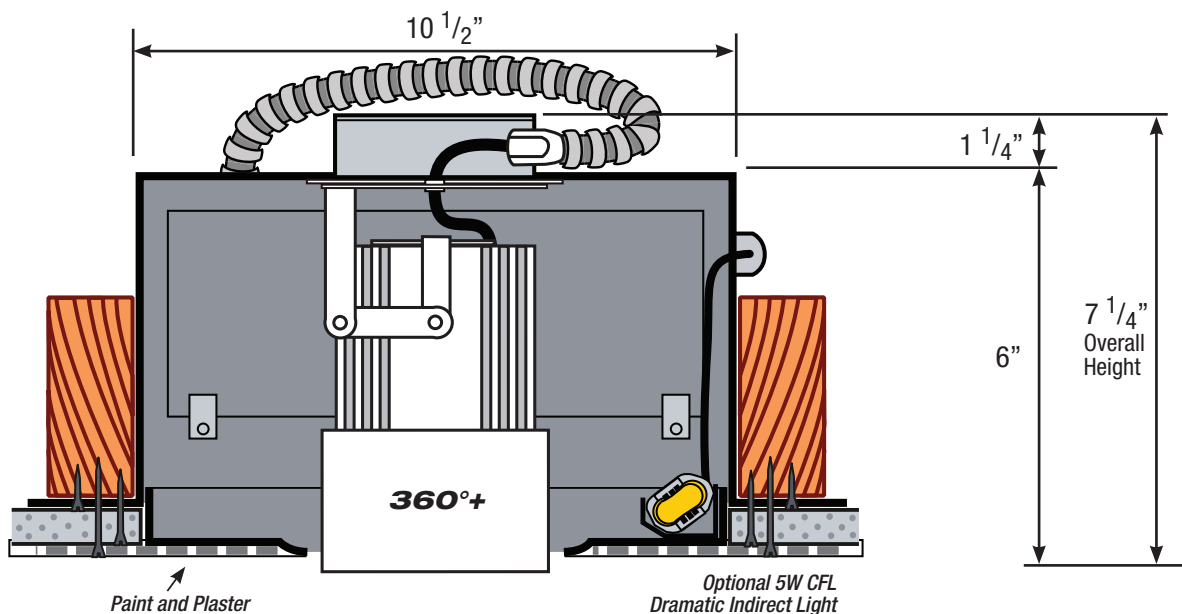
1. Choose the location for the fixture, taking into consideration the size of the Housing of **10 1/2" x 17 1/2" x 7"** clearance from any combustible material.
2. Connect power leads. One 120V/277V Circuit
3. Install fixture housing and connect Electrical wiring to end section of housing.
4. Install Gypsum board (Sheetrock)
5. Install perforated aluminum face plate. use 2" counter sunk screws provided to attach frame through holes on face plate
6. Tape and Mud over four sides of perforated aluminum face plate. Plaster finish and Paint ceiling to specified color

**Continue Instructions on back of this page**

*Trim-less Version for Wood Frame Plaster Ceiling*



## Section

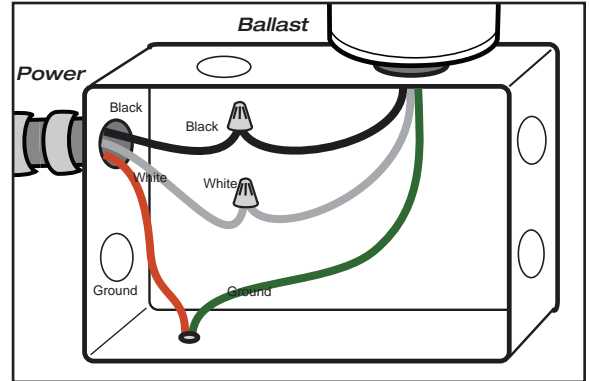


# MR1-636-TL-PAR30

22W Recessed Directional 5" **OPENING**  
**Trim-less Installation Instructions**

# CLARTÉ™ LIGHTING

## Wiring Diagram

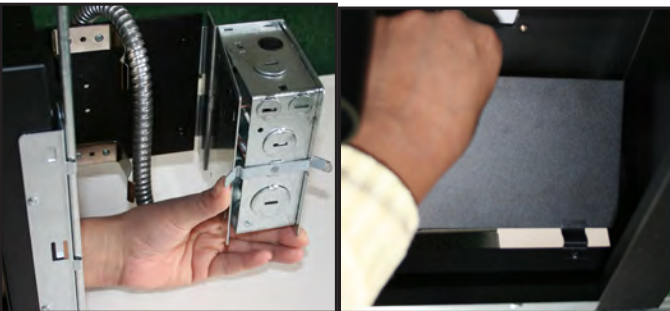


7. Remove Access panel to J-Box.



8. Feed Conduit through top access and connect conduit to J-Box through side access Panel

9. Connect ballast black wire to line Black wire.  
Connect ballast white wire to line white wire.  
Connect ballast ground wire to line ground wire.



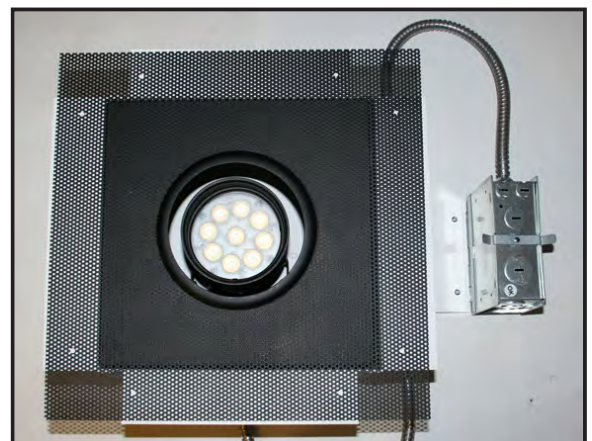
10. Snap Close the J-Box and secure Ballast inside holding clips and replace side panel access cover.



11. Push up Light Fixture through top housing access.



12. Screw Fixture onto top housing access.



13. Restore electrical power and check the operation of your new **CLARTÉ** lighting fixture.