

# MS1-629-TL-PAR30

Recessed Directional 5" Square Modular T  
Installation Instructions For Plaster Ceiling Trim-Less Version

# CLARTÉ™ LIGHTING

## CAUTION!

READ AND FOLLOW ALL SAFETY AND INSTALLATION INSTRUCTIONS CAREFULLY. TURN OFF ELECTRICAL POWER BEFORE STARTING INSTALLATION.

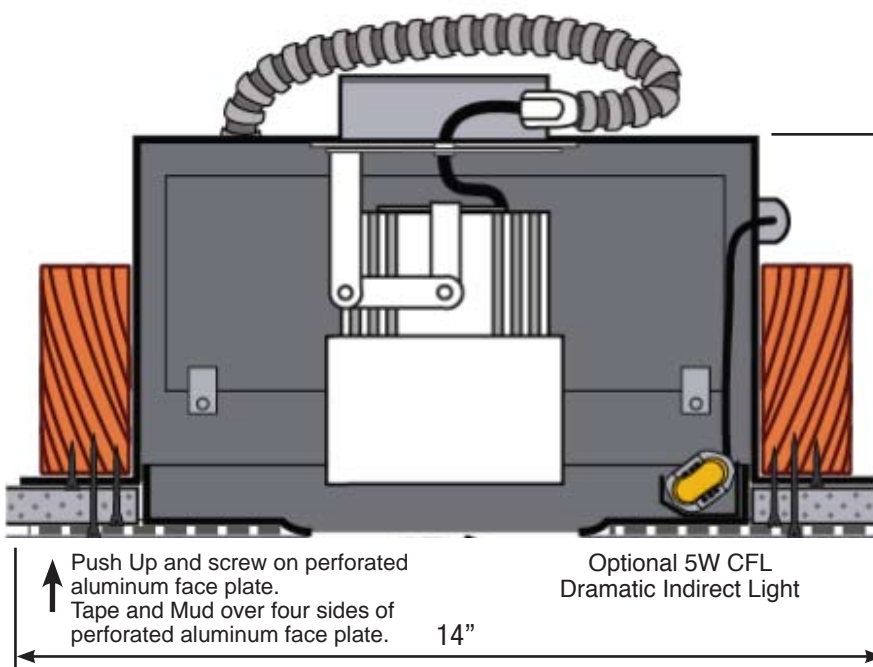
**WARNING** - Before starting installation, disconnect power by turning off the circuit breaker or by removing the appropriate fuse at the fuse box. Do not install any luminaire assembly closer than 6" from any curtain or similar combustible materials. Risk of fire or electric shock. Luminaire wiring and electrical parts may be damaged when drilling for installation of LED retrofit kit. Check for enclosed wiring and components. Risk of fire or electric shock. LED Retrofit Kit installation requires knowledge of luminaires electrical systems. If not qualified, do not attempt installation. Contact a qualified electrician. Risk of fire or electric shock. Install this kit only in luminaires that have the construction features and dimensions shown in the photographs and/or drawings and where the input rating of the retrofit kit does not exceed the input rating of the luminaire. To prevent wiring damage or abrasion, do not expose wiring to edges of sheet metal or other sharp objects. Do not make or alter any open holes in an enclosure of wiring or electrical components during kit installation. **Consult a qualified electrician before installing. Work should be performed by qualified personnel.**

SAVE THESE INSTRUCTIONS

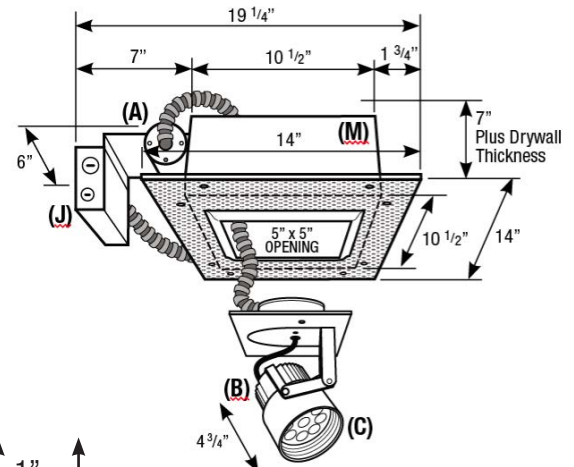
1. Prepare ceiling framing opening of approx. **10 1/2" x 17 1/2" x 7" +\*** for the fixture. The overall Fixture footprint is **14" x 19 1/4" x 8"**
2. Connect power leads. One 120V Circuit
3. Install fixture housing into framing
4. Install Gypsum board (Sheetrock)  
\* Add the thickness of the drywall, plaster and paint

**Continue Instructions on back of this page**

## Section



## Fixture Dimensions



↑ Push Up and screw on perforated aluminum face plate.  
Tape and Mud over four sides of perforated aluminum face plate.

14"

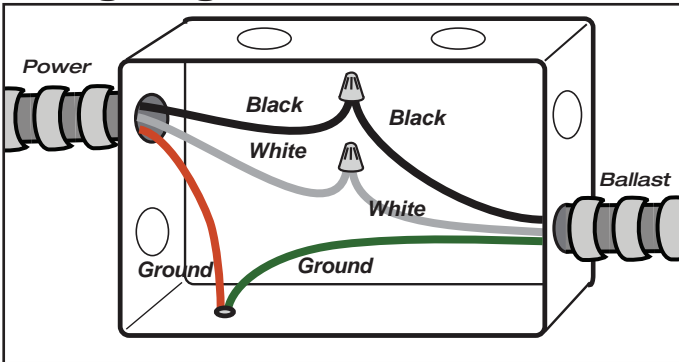
Optional 5W CFL  
Dramatic Indirect Light

# MS1-629-TL-PAR30

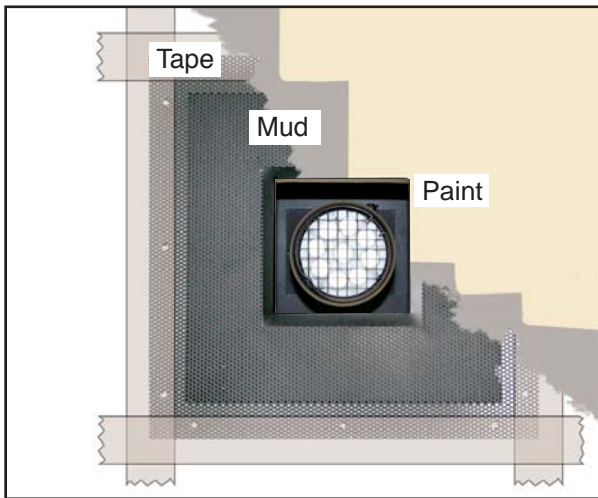
Recessed Directional 5" Square Modular T  
Installation Instructions For Plaster Ceiling Trim-Less Version

# CLARTÉ™ LIGHTING

## Wiring Diagram



5. Connect Ballast Black wire to Power Black wire.  
Connect Ballast White wire to Power White wire.  
Connect Ballast ground wire to Power ground wire.



6. Install perforated aluminum face plate. Use 2" counter sunk screws provided to attach through holes on face plate.

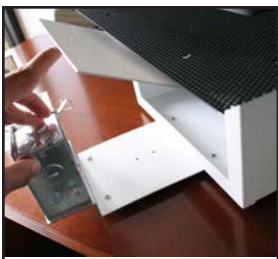
Tape and Mud over four sides of perforated aluminum face plate. Plaster finish and Paint ceiling to specified color



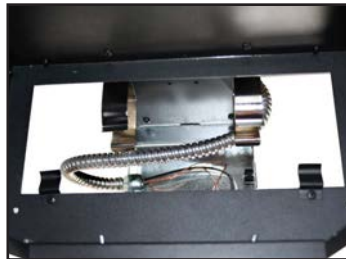
7. Adjust light fixture to achieve the desired direction of illumination.

Restore power and check the operation of your new **CLARTÉ** light fixture.

## For access and maintenance



- A. Lift Access panel to J-Box and Ballast.



- B. Feed Ballast Conduit through top access and connect conduit to J-Box through side access Panel



- C. Snap Close the J-Box and secure Ballast inside holding clips and replace side panel access cover.

