

SMR1-601-NC-PAR8

Installation Instructions (New Construction)

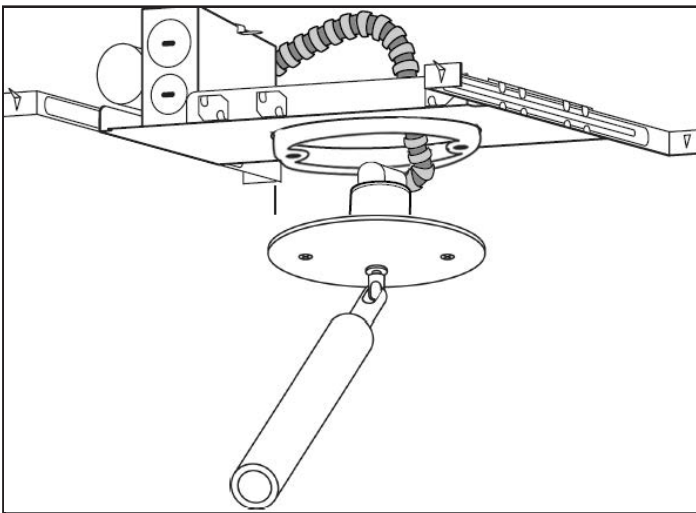
CAUTION! READ AND FOLLOW ALL SAFETY AND INSTALLATION INSTRUCTIONS CAREFULLY. TURN OFF ELECTRICAL POWER BEFORE STARTING INSTALLATION.

WARNING - Before starting installation, disconnect power by turning off the circuit breaker or by removing the appropriate fuse at the fuse box. Do not install any luminaire assembly closer than 6" from any curtain or similar combustible materials. Risk of fire or electric shock. Luminaire wiring and electrical parts may be damaged when drilling for installation of LED retrofit kit. Check for enclosed wiring and components. Risk of fire or electric shock. LED Retrofit Kit installation requires knowledge of luminaires electrical systems. If not qualified, do not attempt installation. Contact a qualified electrician. Risk of fire or electric shock. Install this kit only in luminaires that have the construction features and dimensions shown in the photographs and/or drawings and where the input rating of the retrofit kit does not exceed the input rating of the luminaire. To prevent wiring damage or abrasion, do not expose wiring to edges of sheet metal or other sharp objects. Do not make or alter any open holes in an enclosure of wiring or electrical components during kit installation. **Consult a qualified electrician before installing. Work should be performed by qualified personnel.**

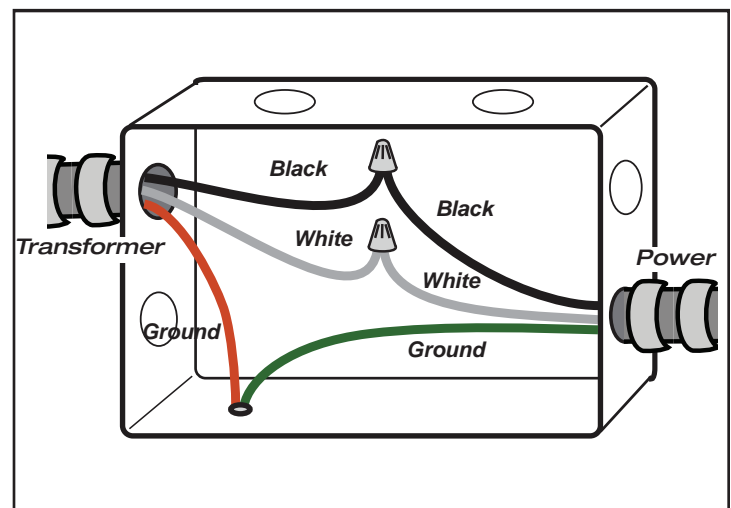
SAVE THESE INSTRUCTIONS

Install fixture frame above ceiling (lines 1-4)

1. Cut a 3 1/4" Dia. Hole in Ceiling tile
2. Insert two hanger bars into the slots located on either side of the plaster frame.
The nail-in tabs point away from the fixture. Repeat on the other side.
3. Fasten the hanger bars to the joist using screws or nails. The bottom of the bars should be flush with the bottom of the joist. Slide the fixture along the hanger bars to desired position and secure by depressing one set of the plaster frame prongs together.
4. Feed the flex with the supply wires to the junction box. Make your electrical connections Black to Black / White to White and replace snap-lock cover.



Wiring Diagram

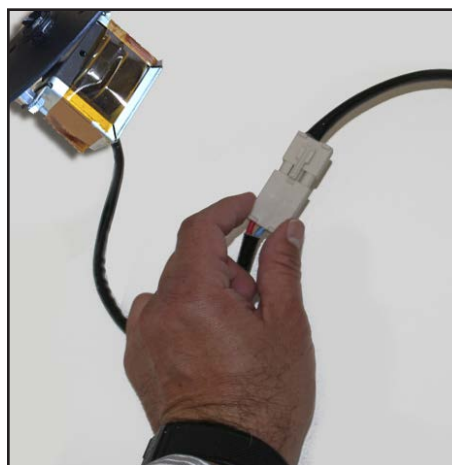


SMR1-601-NC-PAR8

Installation Instructions (New Construction)



5. Pull Transformer Pig Tail through opening



6. Connect LED pigtail with Transformer pigtail.



7. Tighten screws to secure LED fixture to ceiling opening.