

MS3-628-TL-PAR20

Three 8.4W LEDs Recessed Directional 7" x 21.5" Opening
Plaster Ceiling Trim-Less Installation Instructions

CLARTÉ™ LIGHTING

CAUTION!

READ AND FOLLOW ALL SAFETY AND INSTALLATION INSTRUCTIONS CAREFULLY. TURN OFF ELECTRICAL POWER BEFORE STARTING INSTALLATION.

SAVE THESE INSTRUCTIONS

WARNING - Before starting installation, disconnect power by turning off the circuit breaker or by removing the appropriate fuse at the fuse box. Do not install any luminaire assembly closer than 6" from any curtain or similar combustible materials. Risk of fire or electric shock. Luminaire wiring and electrical parts may be damaged when drilling for installation of LED retrofit kit. Check for enclosed wiring and components. Risk of fire or electric shock. LED Retrofit Kit installation requires knowledge of luminaires electrical systems. If not qualified, do not attempt installation. Contact a qualified electrician. Risk of fire or electric shock. Install this kit only in luminaires that have the construction features and dimensions shown in the photographs and/or drawings and where the input rating of the retrofit kit does not exceed the input rating of the luminaire. To prevent wiring damage or abrasion, do not expose wiring to edges of sheet metal or other sharp objects. Do not make or alter any open holes in an enclosure of wiring or electrical components during kit installation. **Consult a qualified electrician before installing. Work should be performed by qualified personnel.**

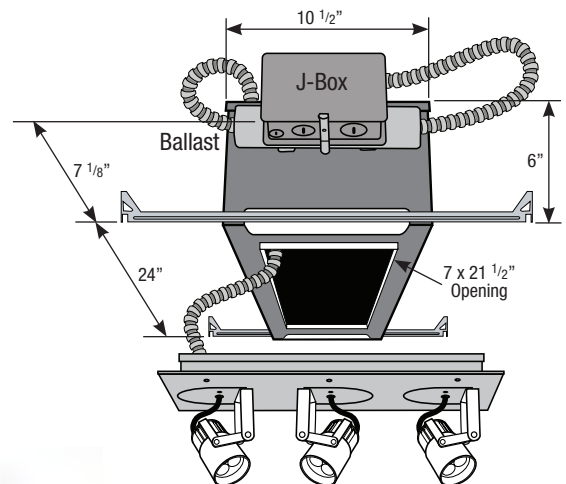
Suitable to Install on "Dimming Circuits".

All wiring must be in accordance with all applicable **nEC Standards**

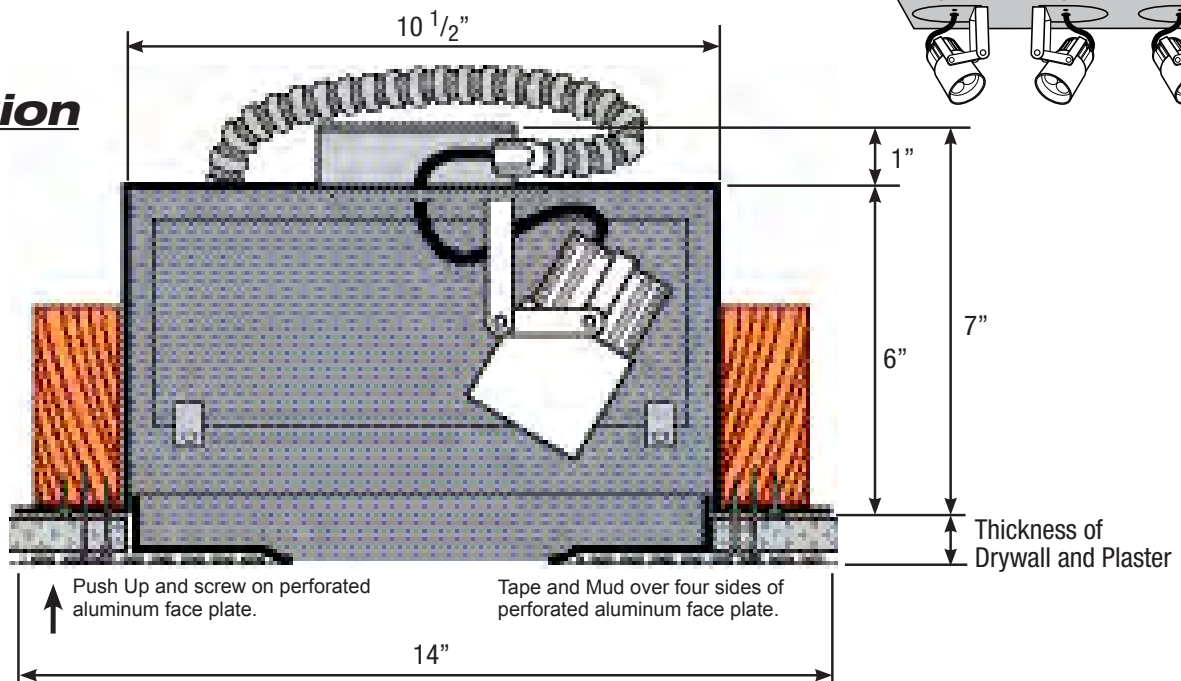
Light-Emitting Diode Lamp is fully Dimmable

1. Choose the location for the fixture, taking into consideration the size of the Housing of **10 1/2" x 31 1/8" x 10 1/2"** clearance from any combustible material.
2. Connect power leads. One 120V/277V Circuit
3. Install fixture housing into framin
4. Install Gypsum board (Sheetrock)

Fixture Dimensions



Section

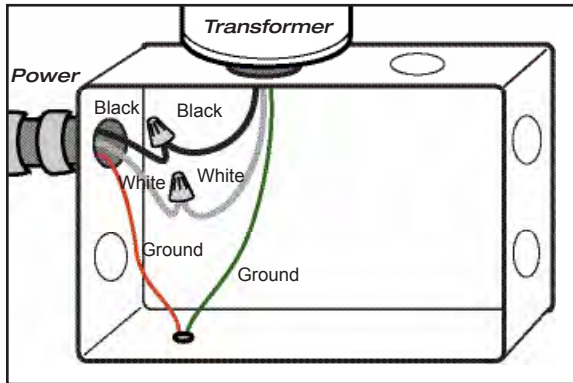


MS3-628-TL-PAR20

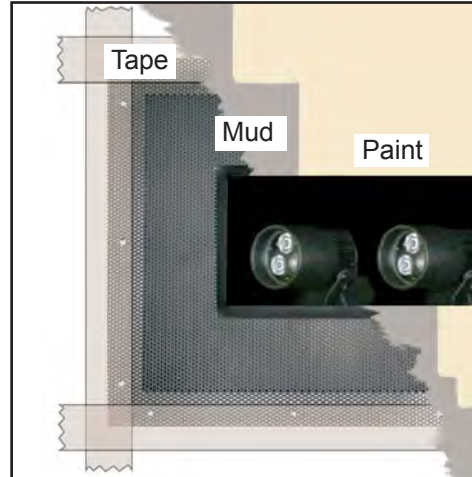
Three 8.4W LEDs Recessed Directional 7" x 21.5" Opening
Plaster Ceiling Trim-Less Installation Instructions



Wiring Diagram



5. Connect LED Transformer Black wire to line Black wire.
Connect LED Transformer White wire to line White wire.
Connect LED Transformer ground wire to line ground wire.



6. Install perforated aluminum face plate. Use 2" counter sunk screws provided to attach through holes on face plate.

Tape and Mud over four sides of perforated aluminum face plate. Plaster finish and Paint ceiling to specified color

Trim-less Version



7. Adjust light fixture to achieve the desired direction of illumination

Restore power and check the operation of your new **CLARTÉ** light fixture

For access and maintenance



A. Lift Access panel to J-Box and Ballast.



B. Feed Ballast Conduit through top access and connect conduit to J-Box through side access Panel



C. Snap Close the J-Box and secure Ballast inside holding clips and replace side panel access cover.

