

## RMT-100

### EMCOD Magnetic Dimmable LED AC Driver

Outdoor Black Powder Coated Steel Enclosure

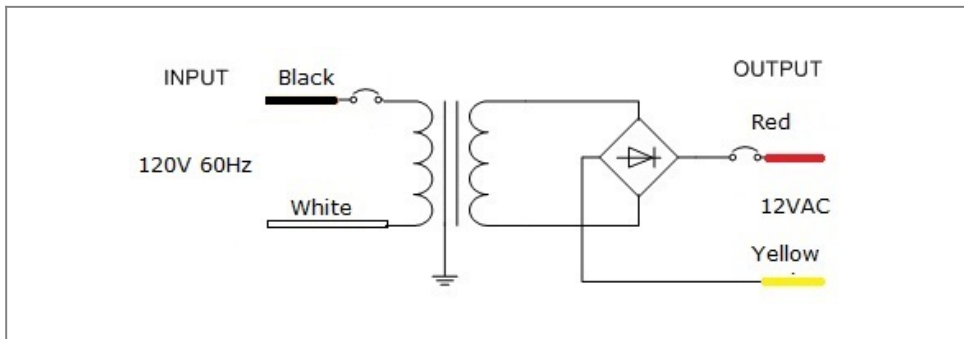
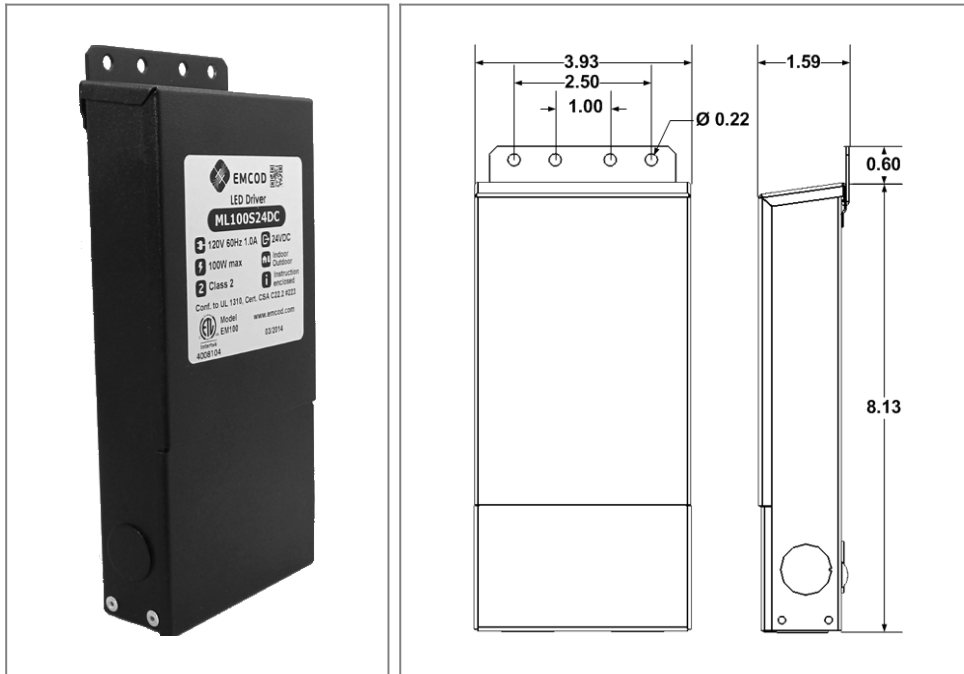
Single Circuit: **12VAC**

Total Wattage: **100W max**

Input Voltage: **120V 60Hz**

# CLARTÉ™

## LIGHTING



### Transformer

Dimmable with any LV magnetic dimmer as long as you cover dimmer's min load.

Temperature class B(130°C)

Input leads are 18AWG 600V

Output leads are 18AWG 300V

Leads max. operational temperature is 105°C

Thermal manually reset primary breaker 1.25A

Thermal manually reset secondary breaker 10A

### Housing

The actual transformer 100W is encapsulated in the enclosure

The enclosure is Black Powder Coated Steel, NEMA 3R rated

Wiring compartment has 5 knockouts sizes for 3/8 inch screw cable connectors

Enclosure Temperature does not exceed 75°C at 45°C ambient and fully loaded

Dimensions (inch): H = 8.13, W = 3.93, D = 1.59

Weight (LBs): 0.4

### Electrical Parameters

Input Voltage: **120V 60Hz**

Output voltage fully loaded: **11.5VAC**

Max. Total Wattage: **100W**