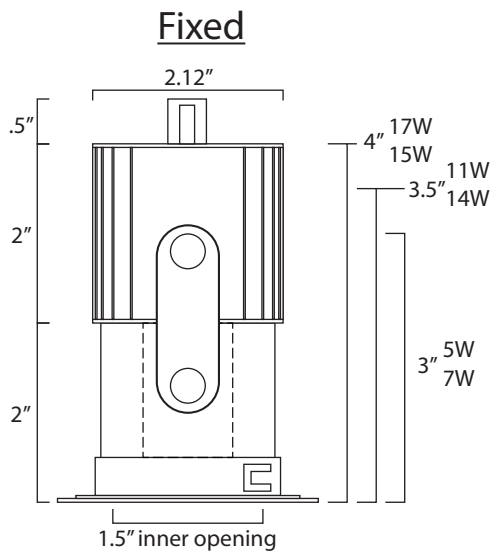
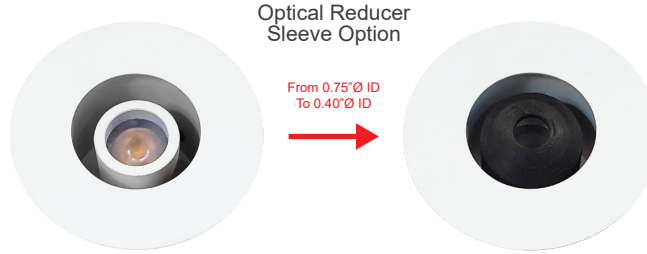
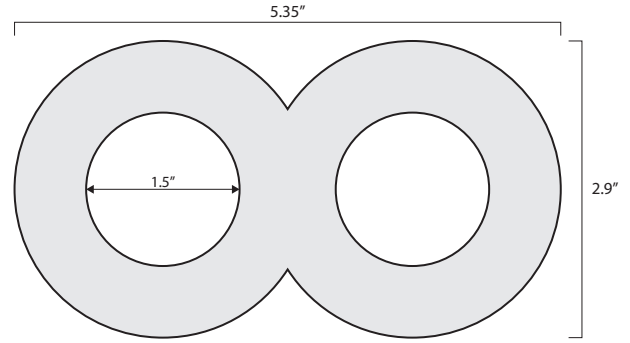


# RR1-189-PAR8-X2

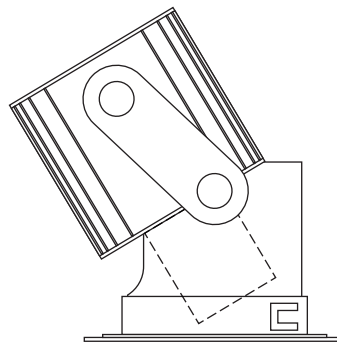
Adjustable or Fixed Round 2-Lamp Lipstick Cluster

Project Name:		Type:	
Catalog Number:		Date:	



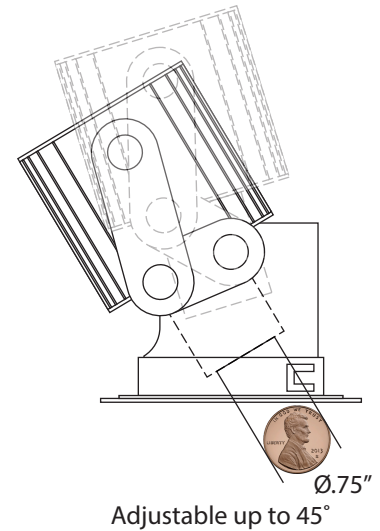
## Fixed Wall Wash

Same Dimensions as Fixed



## Adjustable

Same Dimensions as Fixed



### Key Features

- 1.5" ID
- Adjustable up to 50°
- Adjustable Recessed or Semi-Recessed
- Fixed 1/2" Recessed Trimless
- 365° Rotation
- IC or NON IC version
- Remote Transformer Optoin
- .02" Uber Thin Trim Lip
- Over 10,000+ fixture custom color finish options
- 100,000+ L70 life

### LED Source Details

- CREE XHP50 LED maximum rating = 1,500mA
- Fixture operating milliamp range = 300mA to 700mA.
- Operating 15% to 38% of rated value 20% to 47%
- Fixture wattage range = 5W to 17W
- Fixture delivered lumens = 500 to 1,150 lumens
- Calculated L70 CREE LED Life – 145,000 hrs\*
- Projected L70 CREE LED Life – 315,000 hrs\*

\*CREE calculated from XHP502 LM80 and TM21 data

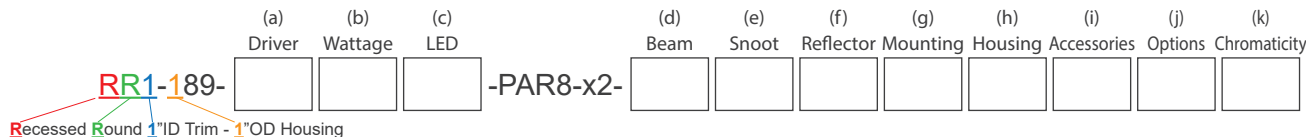
Patent No.: US 10,208,928 B1

Last revised: 04/20/2023

# RR1-189-PAR8-X2

Adjustable or Fixed Round 2-Lamp Lipstick Cluster

Project Name:		Type:	
Catalog Number:		Date:	



**(a) Driver Options**

- E = ON/OFF (Electronic)
- D = MLV 1% Dimming (2 wire)
- DC12V = .01% PWM DC dimming (2 wire)
- DC24V = .01% PWM DC dimming (2 wire)
- ED = Electronic Reverse Phase Dimming 1% (2 wire)
- 0-10V1 = 0-10V 1% Dimming (3 wire)
- 0-10V\* = Remote mount 4 wire 0-10V LED driver single fixture
- 0-10V 2 = Remote mount 4 wire 0-10V driver for up to 2 fixtures
- 0-10V 3 = Remote mount 4 wire 0-10V driver for up to 3 fixtures
- 0-10V MRI\*\* = 0-10V Dimming with 100bd Filter
- RDM DMX = 16 Bit, 4 Channel (2 wire with CAT5)
- ABS = Absolute Light .001% Dimming (use with RGBW)
- ABSX = DMX Absolute Light .001% RGBW dimming

\*Remote single 0-10V LED driver up to 18' away 18ga and 50' away 12ga  
 \*\*Operates up to 4 recessed LED light fixtures for MRI room installation with remote LED driver

**(b) Wattage Options Per Optic (x3)**

- 5W (500 Lumens) = ON/OFF, 0-10V 1%, ED\*
- 7W (500 Lumens) = MLV <1% Dimming
- 10W (000 Lumens) = ABS
- 11W (525 Lumens) = ON/OFF, 0-10V 1%, ED\*
- 14W (525 Lumens) = MLV <1% Dimming
- 15W (1150 Lumens) = ON/OFF, 0-10V 1%, ED\*
- 17W (1150 Lumens) = MLV <1% Dimming, DMX

\*Only with no accessories.

**(c) Lamp Type Options**

X4LED = Cree XHP50 LED = 50+% brighter than XLED  
 (available in spot, narrow flood, and flood)

**(d) Beam Options**

- SP = Spot
- FL = Flood
- NFL = Narrow Flood

**(e) Snoot Color Options**

- BLKS = Black Snoot
- WHTS = White Snoot
- PWTS = Pewter Snoot

**(f) Reflector/Trim Lip Color Options**

- WHT/WHT = White Reflector/White Trim Lip
- WHT/BLK = White Reflector/Black Trim Lip
- BLK/BLK = Black Reflector/Black Trim Lip
- BLK/WHT = Black Reflector/White Trim Lip
- PWT/PWT = Pewter Reflector/Pewter Trim Lip
- PWT/WHT = Pewter Reflector/White Trim Lip
- PWT/BLK = Pewter Reflector/Black Trim Lip

**(g) Mounting Options**



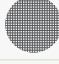



- ADJ = Adjustable
- FX = Fixed
- WOS = Wires Out the Side (reduces height by 0.5")
- FWW = Fixed Wall Wash

**(h) Fixture Housing Options**

**Non-IC Rated:**  
 RMT = No housing, no frame, remote transformer spring clip loaded trim  
 NIC = Frame and junction box to be used with trim version

**IC Rated:**  
 AH = 8" x 8" Architectural housing to be used with trimmed or level plane installation

**(i) Optical and Accessory Options**

- LS = Lens Softener - +20% increase in beam width. Shields optical face visually. Softens edges of beam. 
- LSL = Linear Spread Lens - Horizontal or vertical beam elongation. 
- WFL = Wide Flood Lens - Wall washing increases the beam by 50% width with elimination of center beam. 
- LV = Louver - Small black hexcel louver eliminates all surface brightness. Creates stronger vertical cut off with -20% beam width. 
- CHL = Cross Hiar Louver 
- H = Halogen - 100K warmer. 2700k to 2500K 
- DH = Dimmed Halogen - 400K warmer. 2700k to 2300K

**(j) Options**

- RMT7 = 7Watt 12V AC MLV Step Down Transformer
- RMT14 = 14Watt 12V AC MLV Step Down Transformer
- RMT17 = 17Watt 12V AC MLV Step Down Transformer
- RMT60 = 60Watt 12V AC MLV Step Down Transformer
- RMT150 = 150Watt 12V AC MLV Step Down Transformer
- RMT300 = 300Watt 12V AC MLV Step Down Transformer
- 12V = DC
- 24V = DC
- 120V = 120VAC 60Hz (Standard)
- 230V = 230VAC 50Hz
- 277V = 277VAC 60Hz
- 347V = 347VAC 60Hz
- EMG = 90min Emergency Back-Up Battery
- TB = DMX 5-pin Plug-in Terminal Block
- RET\* = Bi-pin whip to plug Clarté LED trim module into existing MLV transformed recessed halogen MR16 fixtures.
- 80+ = CRI over 80
- 90+ = CRI over 90
- EXT = Exterior zinc primer with zinc infused paint

\*Eliminate the need to install new 12V AC step down transformer, Clarté LED trim installs like changing a lamp.

**(k) Color Temperature Options**

- |  |                                     |
|--|-------------------------------------|
| <b>White LED</b>                       | <b>Colored/Themed LED</b>           |
| 22K* = 2200 Kelvin (candlelight color) | UV365** = 365 NM UV black light     |
| 27K = 2700 Kelvin (incandescent color) | UV390** = 390 NM UV black light     |
| 30K = 3000 Kelvin (halogen color)      | Blue* = 465 - 485 NM wavelength     |
| 35K = 3500 Kelvin (warm incandescent)  | Green* = 520 - 535 NM wavelength    |
| 40K = 4000 Kelvin (cool incandescent)  | Amber* = 585 - 595NM wavelength     |
| 50K = 5000 Kelvin (day white)          | Red* = 620 - 630 NM wavelength      |
| 65K = 6500 Kelvin (12 noon sunlight)   | RGBW3K*** = Red, Green, Blue, White |
|  | RGBW4K*** = Red, Green, Blue, White |

\*1050 mA or less

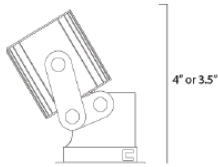
\*\*700 mA or less  
 \*\*\*Must utilize DMX fixture option

**RR1-189-PAR8-X2**

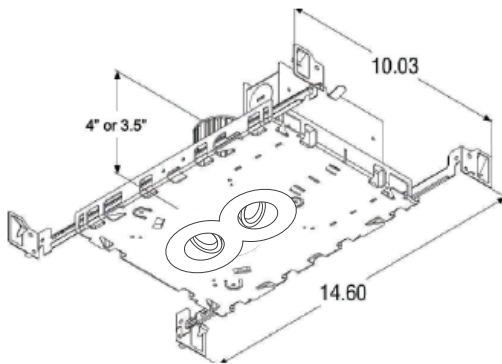
Adjustable or Fixed Round 2-Lamp Lipstick Cluster

Project Name:		Type:	
Catalog Number:		Date:	

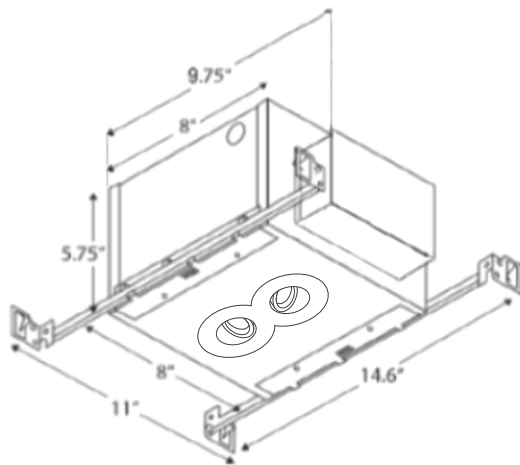
Non-IC: No Housing Remote Transformer Remodel - Trimmed



Non-IC: No Housing Framed Fixture with J-Box - Trimmed



IC: Architectural Housing - Trimless, Level Plane or 1/2" Recessed.

**Housing**

- 100% aluminum construction
- IC housing with hinged 4" x 6" side access panel to j-box & LED driver

**Electrical**

- IC or NON-IC fixture housing
- Optional - 12V AC remote class 2
- Optional - 12V or 24 DC remote class 2
- 100V, 120V, 230V, 277V or 347V

**LED**

- 3,000 maximum milliamp rated CREE LED
- Operates between 450 to 1200 milliamps
- L70 life = 100,000 hr.+

**LED Driver**

- D – 2 wire forward phase .01% LED driver fade to off glow to on
- ED – 2 wire reverse phase 1% LED driver
- DC – 12V or 24V
- 0-10V – 3 wire 1% LED driver
- Absolute Light – Remote mount class 2 48V din rail .001% LED system
- 16-bit RMD DMX – 65,536 dimming steps fade to off glow to on

**Optics**

- TIR discrete injection molded polycarbonate precision LED optic
- 45-degree vertical cut off

**Trim**

- .02" thin trim lip
- Hydro form reflector - no spin marks

**Trim Finish**

- Specular Aluminum Anodized
- Matt Aluminum Anodized
- White, Black or Pewter Powder Coat Paint
- 3300+ Custom Power Coat Paint Colors
- 7000+ Custom Wet Paint Colors

**Level Plane and Trimless Installation**

- Available in 1/2" recessed trimless, trimless and level plane

**Installation**

- Accommodates ceiling thickness up to 2.5"
- Universal adjustable 24" adjustable hangar bars

**Certification**

- UL Damp Listed – IP 52 – Open trim
- UL Wet Listed – IP 65 – Lensed trim

**Warranty**

- 5 Year – ED, 0-10V, DMX and colored LED fixtures
- 7 Year – D and White LED fixtures

# RR1-189-PAR8-X2

Adjustable or Fixed Round 2-Lamp Lipstick Cluster

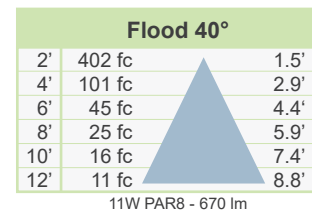
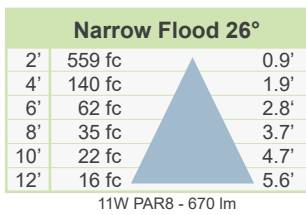
Project Name:		Type:	
Catalog Number:		Date:	

### Wattage & Lumen Output

300 Milliamps - 500 Lumens		700 Milliamps		525 Milliamps - 900 Lumens		700 Milliamps - 1150 Lumens	
5W	ON/OFF	10W	Red - Up to 150 Lumens	11W	ON/OFF	15W	ON/OFF
	0-10V 1% Dimming		Green - Up to 150 Lumens		0-10V 1% Dimming		0-10V 1% Dimming
	ED		Blue - Up to 150 Lumens		ED		ED
7W	MLV <1% Dimming		White - Up to 300 Lumens	14W	MLV <1% Dimming	14W	MLV <1% Dimming
							DMX

### 3 Step CREE XPL2 LED

Kelvin-CRI	Multiplier
27K-80+ CRI	1
27K-90+ CRI	0.80
30K-80+ CRI	1
30K-90+ CRI	0.85
35K-80+ CRI	105
35K-90+ CRI	0.9
40K-80+ CRI	109
50K-80+ CRI	109
65K-80+ CRI	105
80+ = 84 CRI	
90+ = 94 CRI	

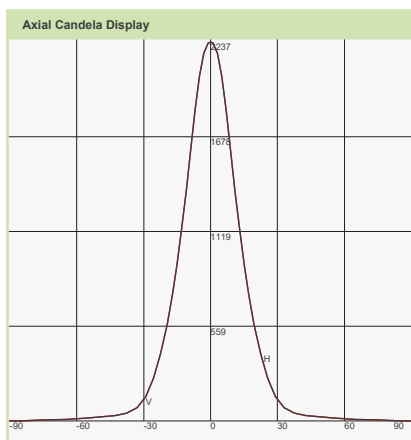


#### Zonal Flux and Percentages

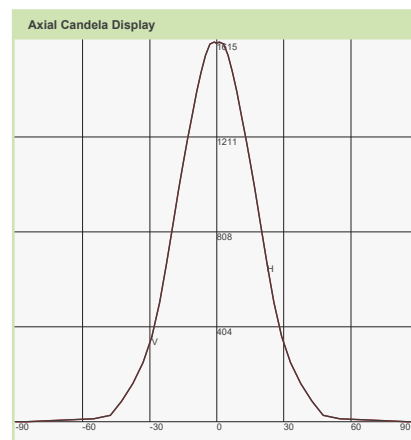
Zone	%Luminaire
0-20	63
0-30	83.3
0-40	89.8
0-60	95.8
0-80	99.2
0-90	100
10-90	77.9
20-40	26.7
20-50	30.6
40-70	8
60-80	3.4
70-80	1.4
80-90	0.8

#### Zonal Flux and Percentages

Zone	%Luminaire
0-20	47.3
0-30	74.3
0-40	88.5
0-60	97.5
0-80	99.5
0-90	100
10-90	87.1
20-40	41.2
20-50	48.7
40-70	10.1
60-80	2
70-80	0.9
80-90	0.5



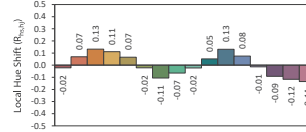
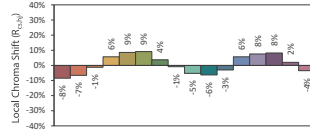
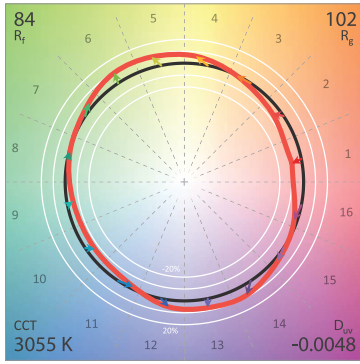
Maximum Candela = 2237 Located At Horizontal Angle = 0, Vertical Angle = 0  
 H - Horizontal Axial Candela  
 V - Vertical Axial Candela



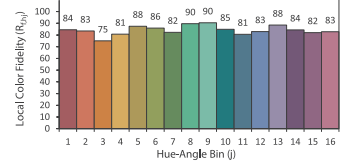
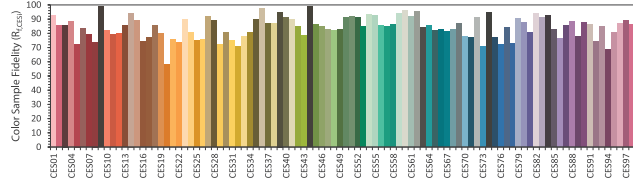
Maximum Candela = 1615 Located At Horizontal Angle = -1, Vertical Angle = 0  
 H - Horizontal Axial Candela  
 V - Vertical Axial Candela

Project Name:		Type:	
Catalog Number:		Date:	

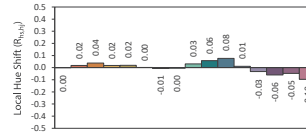
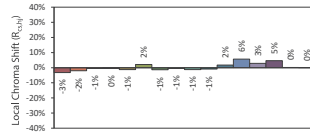
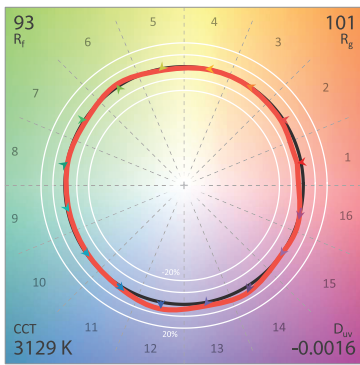
### Clarté Lighting 3000K 80+ CRI Color Metrics



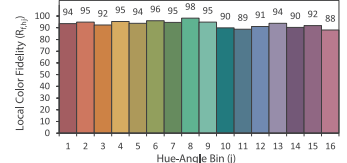
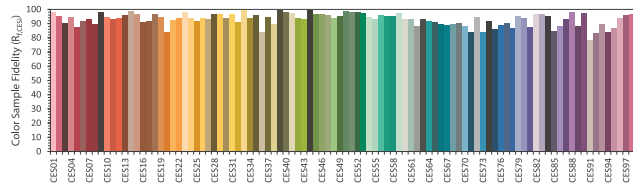
CIE 13.3-1995 (CRI)  
R<sub>a</sub> 86  
R<sub>9</sub> 29



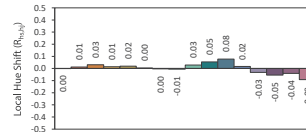
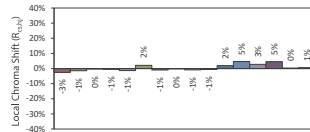
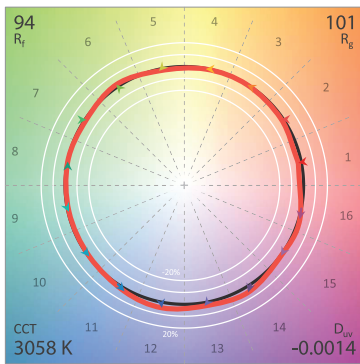
### Clarté Lighting 3000K 90+ CRI Color Metrics



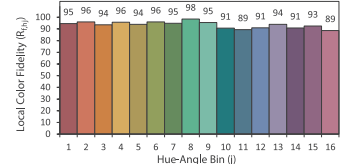
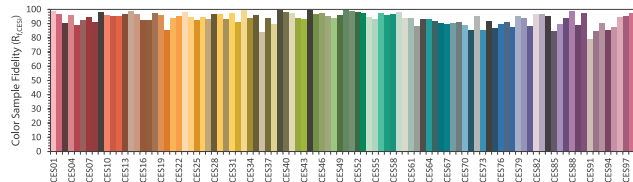
CIE 13.3-1995 (CRI)  
R<sub>a</sub> 95  
R<sub>9</sub> 74



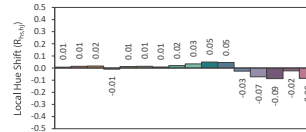
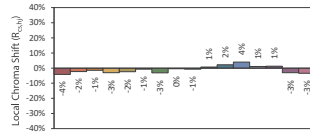
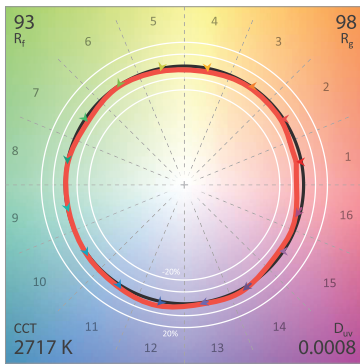
### Clarté Lighting 3000K 90+ CRI Halogen Lens (H) Color Metrics



CIE 13.3-1995 (CRI)  
R<sub>a</sub> 96  
R<sub>9</sub> 79



### Clarté Lighting 3000K 90+ CRI Dimmed Halogen Lens (DH) Color Metrics



CIE 13.3-1995 (CRI)  
R<sub>a</sub> 95  
R<sub>9</sub> 64

