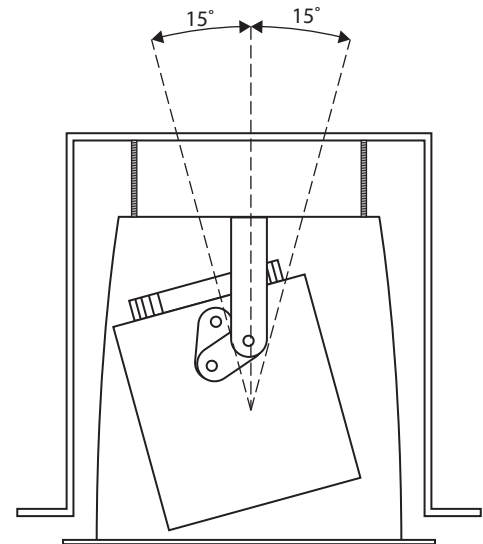
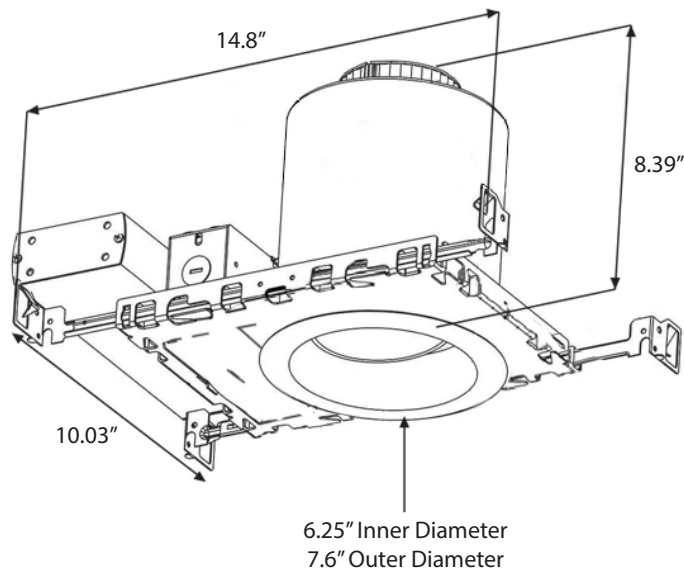
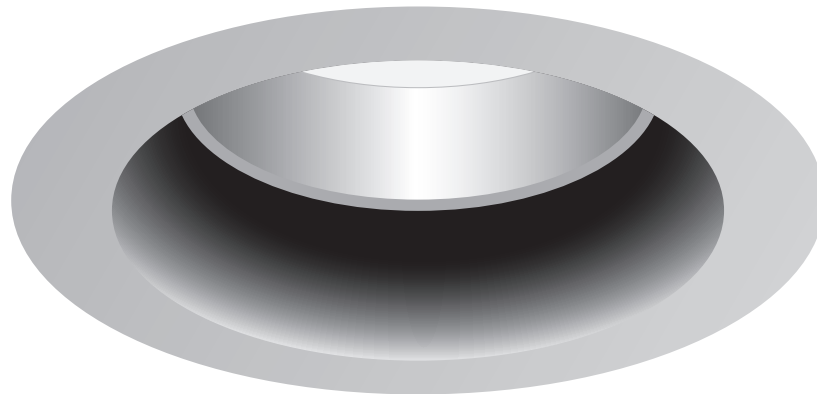


RR6-614-PAR38

Adjustable 35° Directional

Project Name:		Type:	
Catalog Number:		Date:	



Key Features

- 6.25" ID - 7.6" OD
- Adjustable
- IC or NON IC version
- Remote Transformer Optoin
- .02" Uber Thin Trim Lip
- Over 10,000+ fixture custom color finish options
- 100,000+ L70 life

LED Source Details

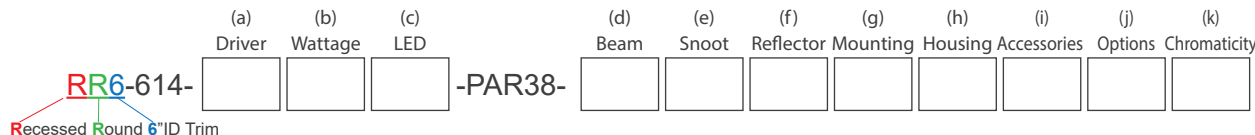
- CREE XML2 LED maximum rating 3,000 mA
- Fixture operating milliamps = 700 mA – 1600 mA
 - Operating 23% - 53% of rated value
 - Fixture delivered lumens = up to 3,911 lumens
 - Utilized to create NSP (12 degree)
- CREE XML3 LED maximum rating 5,000 mA
- Spot (SP-19), Narrow Flood (NFL-25) and Flood (FL-40)
 - Fixture operating milliamps = 1600
 - Operating 32% of rated value
 - Fixture delivered lumens = 5,000+ lumens

Last revised: 03/20/2024

RR6-614-PAR38

Adjustable 35° Directional

Project Name:		Type:	
Catalog Number:		Date:	



(a) Driver Options

E	= ON/OFF (Electronic)
D	= MLV 1% Dimming (2 wire)
ED	= Electronic Reverse Phase Dimming 1% (2 wire)
0-10V1	= 0-10V 1% Dimming (3 wire)
RDM DMX	= 16 Bit, 4 Channel (2 wire with CAT5)

(b) Wattage Options

68W (000 Lumens) = ON/OFF, 0-10V 1%
 70W (000 Lumens) = DMX Dimming

(c) Lamp Type Options

XLED = Cree XPL2 LED @ All Wattages

(d) Beam Options

NSP	= Narrow Spot	NFL	= Narrow Flood
SP	= Spot	FL	= Flood

(e) Snoot Color Options

BLKS	= Black Snoot
WHTS	= White Snoot
PWTS	= Pewter Snoot

(f) Reflector/Trim Lip Color Options

WHT/WHT	= White Reflector/White Trim Lip
WHT/BLK	= White Reflector/Black Trim Lip
BLK/BLK	= Black Reflector/Black Trim Lip
BLK/WHT	= Black Reflector/White Trim Lip

(g) Mounting Options

ADJ	= Adjustable
FX	= Fixed
WOS	= Wires Out the Side (reduces height by 0.5")

(h) Fixture Housing Options

Non-IC Rated:

NC	= New Construction
RET	= Retrofit

(i) Optical and Accessory Options

LS	= Lens Softener - +20% increase in beam width. Shields optical face visually. Softens edges of beam.	
LSL	= Linear Spread Lens - Horizontal or vertical beam elongation.	
WFL	= Wide Flood Lens - Wall washing increases the beam by 50% width with elimination of center beam.	
LV	= Louver - Small black hexcel louver eliminates all surface brightness. Creates stronger vertical cut off with -20% beam width.	
CHL	= Cross Hiar Louver	
H	= Halogen - 150K warmer. 2700k to 2550K	
DH	= Dimmed Halogen - 300K warmer. 2700k to 2400K	

(j) Options

12V	= DC
24V	= DC
120V	= 120VAC 60Hz (Standard)
230V	= 230VAC 50Hz
277V	= 277VAC 60Hz
347V	= 347VAC 60Hz
EMG	= 90min Emergency Back-Up Battery
TB	= DMX 5-pin Plug-in Terminal Block
RMT	= Remote transformer with remodel trim
80+	= CRI over 80
90+	= CRI over 90
DMX*	= .01% - 100%, 1200 mA constant voltage driver, dip switch addressable. 3-channel for 27K & 3K, 4-channel for RGBW CAT5 in & out

*DMX is required in RGBA or in any 2-circuits or more.

(Eliminate the need to install new 12V AC step down transformer, Clarté LED trim installs like changing a lamp.)

(k) Color Temperature Options

White LED	Colored/Themed LED
22K* = 2200 Kelvin (candlelight color)	UV275** = 275 NM UV virus sterilizer
27K = 2700 Kelvin (incandescent color)	UV365*** = 365 NM UV black light
30K = 3000 Kelvin (halogen color)	UV390*** = 390 NM UV black light
35K = 3500 Kelvin (warm incandescent)	Blue*** = 465 - 485 NM wavelength
40K = 4000 Kelvin (cool incandescent)	Green*** = 520 - 535 NM wavelength
50K = 5000 Kelvin (day white)	Amber*** = 585 - 595NM wavelength
65K = 6500 Kelvin (12 noon sunlight)	Red*** = 620 - 630 NM wavelength
	RGBW3K**** = Red, Green, Blue, White
	RGBW4K**** = Red, Green, Blue, White

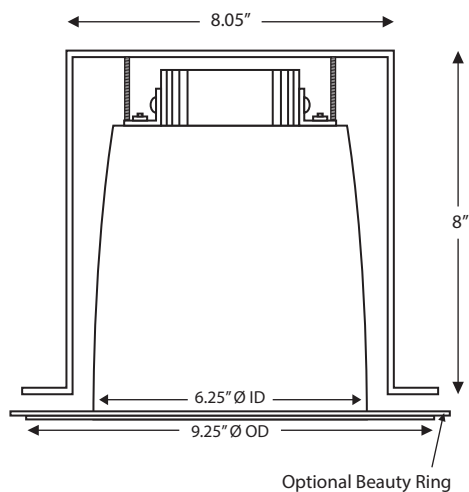
*1050 mA or less
 **500 mA
 ***700 mA
 ****Must utilize DMX @ 700 mA

RR6-614-PAR38

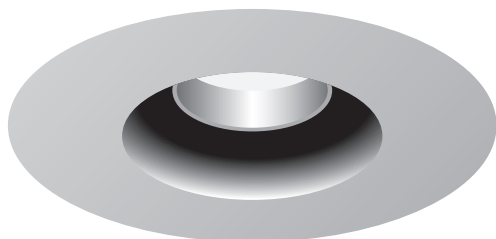
Adjustable 35° Directional

Project Name:		Type:	
Catalog Number:		Date:	

Retrofit/Remodel Version:



Optional Retrofit/Remodel with 9.25"OD:

**Housing**

- 100% aluminum construction
- IC housing with hinged 4" x 6" side access panel to j-box & LED driver

Electrical

- IC or NON-IC fixture housing
- Optional - 12V AC remote class 2
- Optional - 12V or 24 DC remote class 2
- 100V, 120V, 230V, 277V or 347V

LED

- 3,000 maximum milliamp rated CREE LED
- Operates between 450 to 1200 milliamps
- L70 life = 100,000 hr.+

LED Driver

- D – 2 wire forward phase .01% LED driver fade to off glow to on
- ED – 2 wire reverse phase 1% LED driver
- DC – 12V or 24V
- 0-10V – 3 wire 1% LED driver
- Absolute Light – Remote mount class 2 48V din rail .001% LED system
- 16-bit RMD DMX – 65,536 dimming steps fade to off glow to on

Optics

- TIR discrete injection molded polycarbonate precision LED optic
- 45-degree vertical cut off

Trim

- .02" thin trim lip
- Hydro form reflector - no spin marks

Trim Finish

- Specular Aluminum Anodized
- Matt Aluminum Anodized
- White, Black or Pewter Powder Coat Paint
- 3300+ Custom Power Coat Paint Colors
- 7000+ Custom Wet Paint Colors

Level Plane and Trimless Installation

- Available in trimless 1/2" recessed, trimless and level plane

Installation

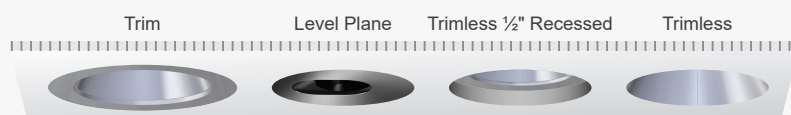
- Accommodates ceiling thickness up to 2.5"
- Universal adjustable 24" adjustable hangar bars

Certification

- UL Damp Listed – IP 52

Warranty

- 5 Year – ED, 0-10V, DMX and colored LED fixtures
- 7 Year – D and White LED fixtures

4 Trim Installation Options

RR6-614-PAR38

Adjustable 35° Directional

Project Name:		Type:	
Catalog Number:		Date:	

Wattage & Lumen Output

1400 Milliamps - 5000 Lumens	
68W	ON/OFF
	0-10V 1% Dimming
70W	DMX Dimming

3 Step CREE XPL2 LED

Kelvin-CRI	Multiplier
27K-80+ CRI	1
27K-90+ CRI	0.80
30K-80+ CRI	1
30K-90+ CRI	0.85
35K-80+ CRI	105
35K-90+ CRI	0.9
40K-80+ CRI	109
50K-80+ CRI	109
65K-80+ CRI	105
80+ = 84 CRI	
90+ = 94 CRI	

Narrow Flood 21°

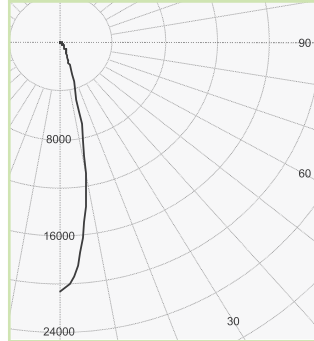
2'	5,157 fc	0.7'
4'	1,289 fc	1.5'
6'	573 fc	2.2'
8'	322 fc	3.0'
10'	206 fc	3.7'
12'	143 fc	4.4'

67W PAR38 - 4,266 lm

Zonal Flux and Percentages

Zone	Flux (lm)	%Luminaire
0-30	3369	79.0
0-40	3739	87.7
0-60	4197	98.4
0-90	4266	100.0
40-90	527	12.3
60-90	69	1.6
90-180	0	0.0
0-180	4266	100.0

All planes - Solid (cd)



(Rotational Symmetry)

Intensity Summary (cd)

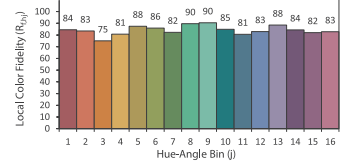
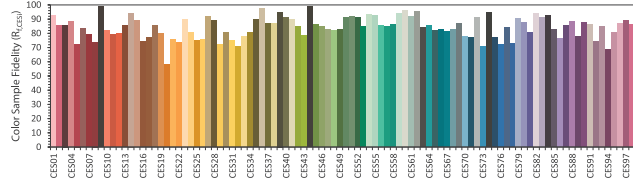
Gamma	All Planes	Flux (lm)
0	20628	
5	17468	1451
10	10916	
15	4848	1396
20	1966	
25	1066	522
30	764	
35	582	370
40	476	
45	381	295
50	291	
55	177	163
60	103	
65	73	65
70	14	
75	3	4
80	1	
85	0	1
90	0	

Project Name:		Type:	
Catalog Number:		Date:	

Clarté Lighting 3000K 80+ CRI Color Metrics



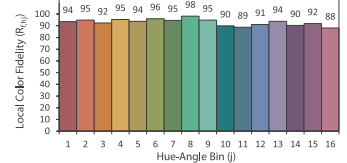
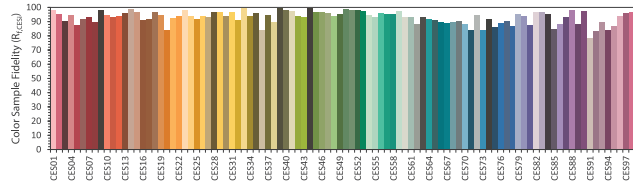
CIE 13.3-1995 (CRI)
 R_a 86
 R_g 29



Clarté Lighting 3000K 90+ CRI Color Metrics



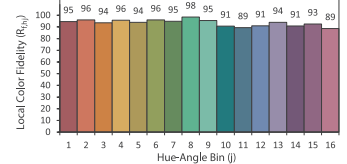
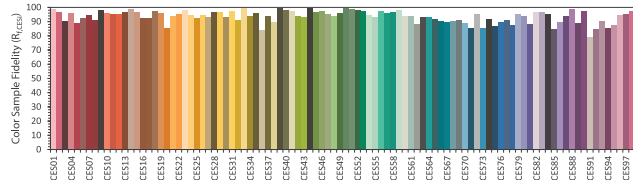
CIE 13.3-1995 (CRI)
 R_a 95
 R_g 74



Clarté Lighting 3000K 90+ CRI Halogen Lens (H) Color Metrics



CIE 13.3-1995 (CRI)
 R_a 96
 R_g 79



Clarté Lighting 3000K 90+ CRI Dimmed Halogen Lens (DH) Color Metrics



CIE 13.3-1995 (CRI)
 R_a 95
 R_g 64

