

# RMT600W 277V

## Magnetic

Outdoor Black Powder Coated Steel Enclosure

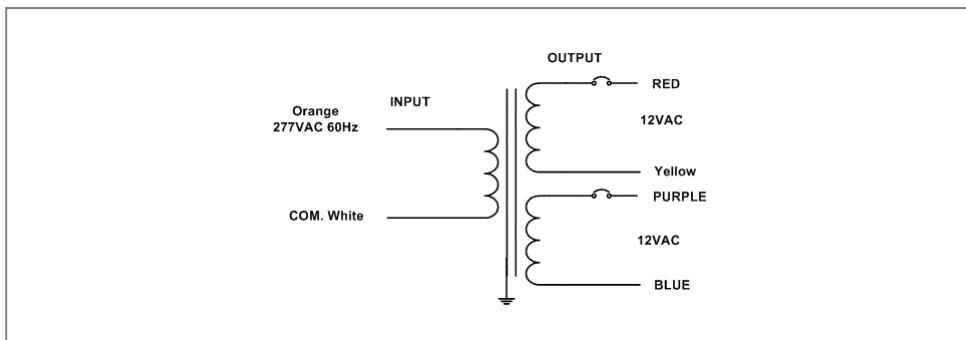
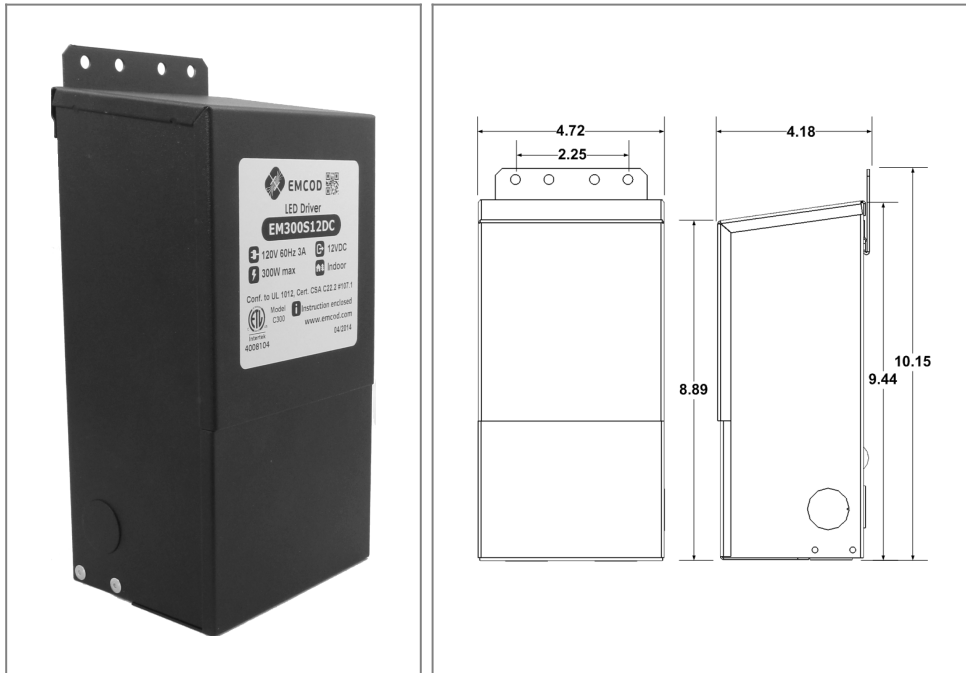
Double Circuit: **12/24VAC**

Total Wattage: **600W max**

Input Voltage: **277V 60Hz**

# CLARTÉ™

## LIGHTING



### Transformer

Temperature class B(130°C)

Two section bobbin completely separated primary and secondary windings

Input leads are 18AWG 600V

Output leads are 12AWG 300V

Leads max. operational temperature is 105°C

Thermal manually reset primary breaker 3.7A

Thermal manually reset secondary breaker 25A per circuit

### Housing

The actual transformer 600W is encapsulated in the enclosure

The enclosure is Black Powder Coated Steel, NEMA 3R rated

Wiring compartment has 6 knockouts sizes for 3/8 inch screw cable connectors

Enclosure Temperature does not exceed 75°C at 45°C ambient and fully loaded

Dimensions (inch): H = 9.4, W = 4.6, D = 4.1

Weight (LBs): 1.8

### Electrical Parameters

Input Voltage: **277V 60Hz**

Max. input current at full load: **2.6A**

Output voltage without load: **12.4/ 24.8VAC**

Output voltage fully loaded: **11.8/ 23.8VAC**

Max. Total Wattage: **600W** Max. per circuit: **300W**

Max. Output Current: **25/ 12.5A** per circuit.

Efficiency: **93%**