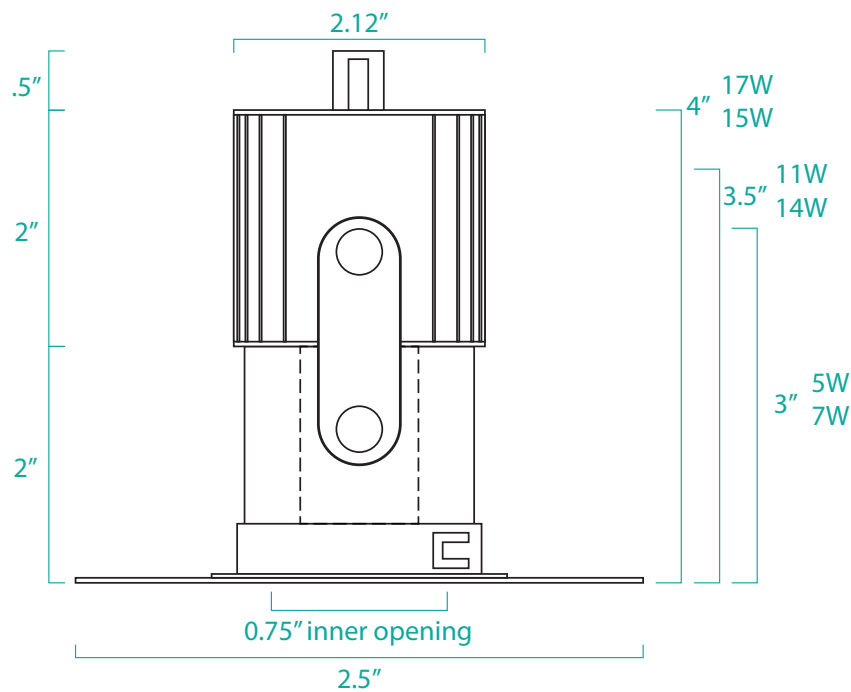
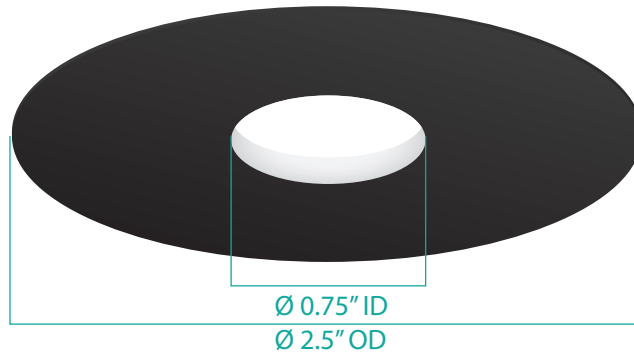


RR1-189-PAR8-FXD-3/4"

Fixed 3/4" Trimmed

Project Name:		Type:	
Catalog Number:		Date:	



WOS= Wires Out the Side
(reduces height by 0.5")

Key Features

- 0.75" ID - 2.5" OD
- IC or NON IC version
- Remote Transformer Option
- .02" Uber Thin Trim Lip
- Over 10,000+ fixture custom color finish options
- 100,000+ L70 life

LED Source Details

- CREE XHP50 LED maximum rating = 1,500mA
- Fixture operating milliamp range = 300mA to 700mA.
- Operating 15% to 38% of rated value 20% to 47%
- Fixture wattage range = 5W to 17W
- Fixture delivered lumens = 500 to 1,150 lumens
- Calculated L70 CREE LED Life – 145,000 hrs*
- Projected L70 CREE LED Life – 315,000 hrs*

*CREE calculated from XHP502 LM80 and TM21 data

Patent No.: US 10,208,928 B1
Other Patents Pending

Last revised: 04/20/2026